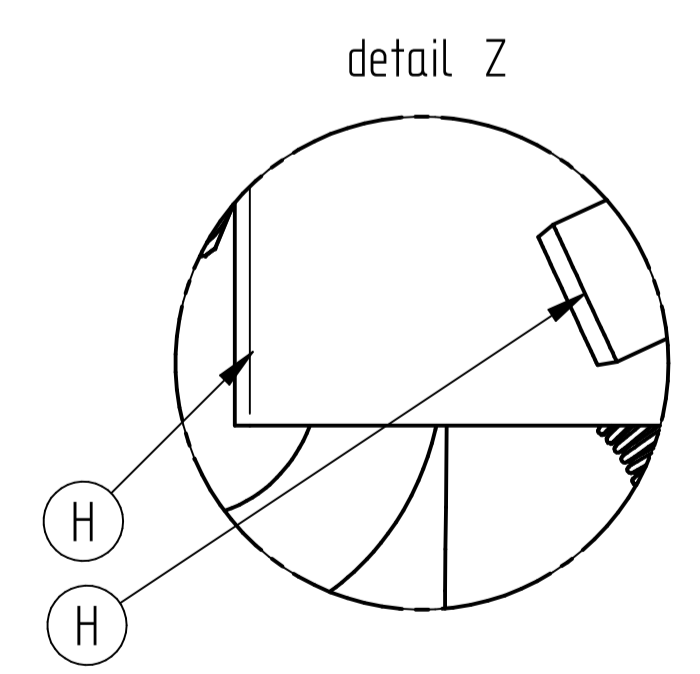


1:10



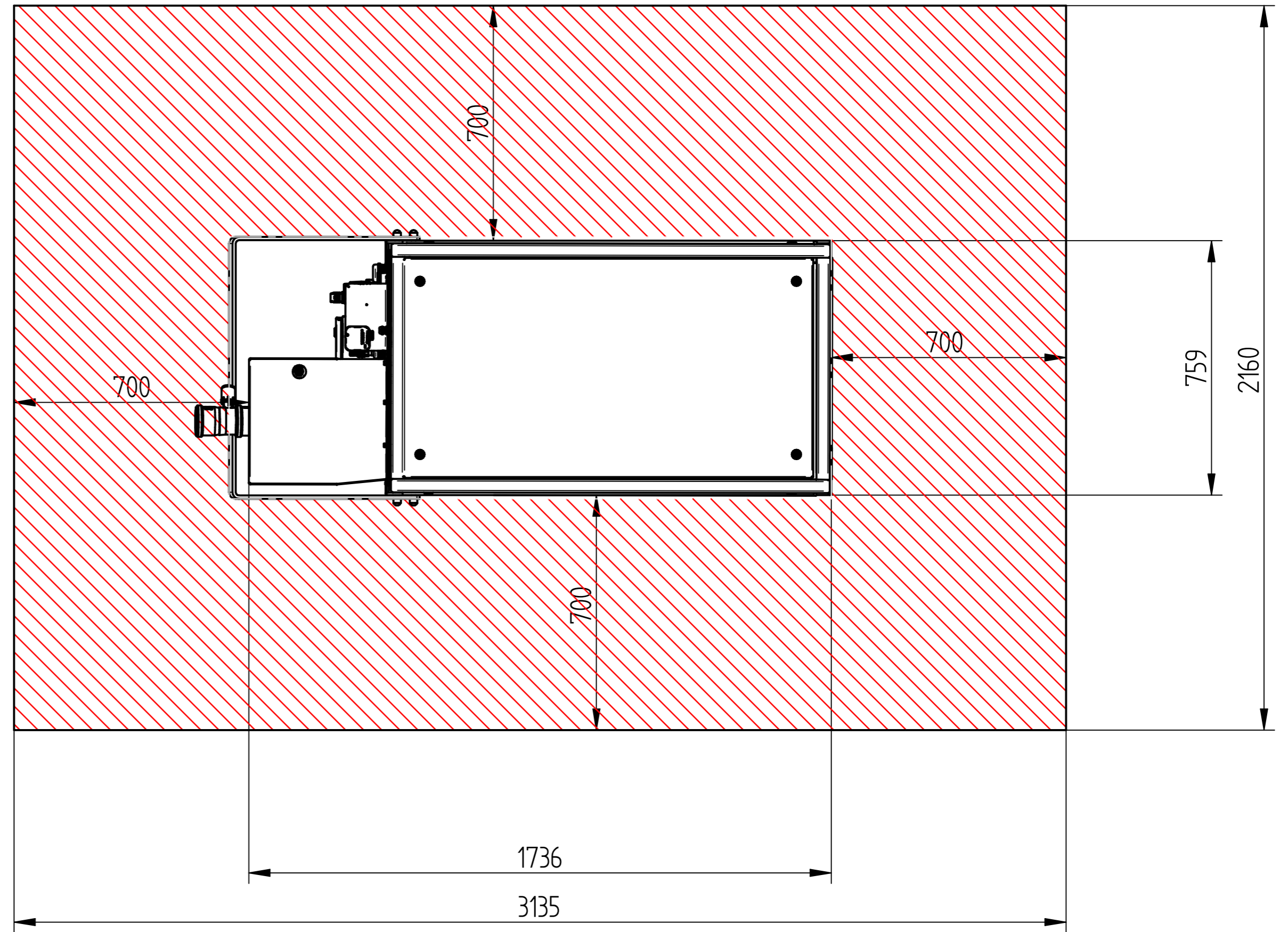
English		
position	designation	connection type
A	flue gas	DN80
B	flow return	1" AG
C	flow heating	1" AG
D	fuel gas	1" AG
E	exhaust air	DN160
F	transport protection (removeable)	
G	expansion vessel	3/4" AG
H	condensate	3/4" AG
I	supply air	

Italiano		
Posizione	Designazione	Tipo di connessione
A	Gas di scarico	DN80
B	Ritorno	1" AG
C	Precursore	1" AG
D	Gas naturale	1" AG
E	Aria di scarico	DN150
F	Staffa di protezione (rimovibile)	
G	connessione vaso di espansione, valore di sicurezza, valore di riempimento	3/4" AG
H	Condensato	1" AG
I	Aria di aspirazione	

ATTENTION Drawing data is for information purpose only. Information on other dimensions and bending allowances do not bypass the checker from recipient.		Tolerances according	weight 1038 kg	scale 1:6	particularity
				title 17.0/21.0/25.0/30.0 kW (el)	
		This drawing must not be copied, forwarded, reproduced or otherwise used in any other way.		part number 3249402	row part number sheet 1 2 sheets
ind.	modification	date	name	origin	modification
					current index
					material, thickness

Requisito minimo per lo spazio libero di manutenzione
(Minimum maintenance room)

Requisito minimo per lo spazio libero di manutenzione sopra la cogenerazione 700 mm
(Minimum maintenance room above CHP 700mm)



Se i requisiti minimi non possono essere soddisfatti, contattare il produttore per discutere le possibili soluzioni.
If the minimum requirement can not be met, please contact the manufacturer to discuss possible solutions.

ATTENTION Unwinding data is for information purposes only! Information on outer dimensions and bending allowances do not disburse the checker from inspection!				Tolerances according to:		weight:	scale: 1:12	particularity:	
				1038 kg		material:			
						title:		17.0/21.0/25.0/30.0 kW (eL)	
				This drawing must not be copied, forwarded, reproduced or otherwise used in any other way.		part number:	raw part number:	sheet:	
						3249402		2	
								2 sheets	
ind.	modification	date	name	origin:	modification:	current index:	material thickness:		