

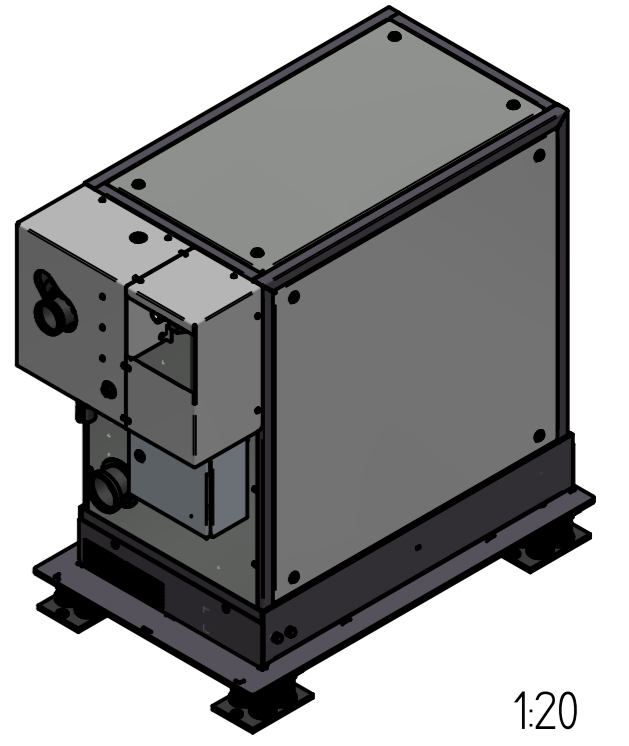
Align the CHP unit at the front with a distance of 15 mm and centered on the vibration damping plate.

a = Spring block element 3150414 = Front  
 b = Spring block element 3150415 = Back (see detail C)

The spring elements are attached to the foundation on site.

Pos.	Item No.	rev.	Title	Qty
	3241096	01	Positioning CHP unit 11.0 - 20.0 kW (eU) (Toyota) on vibration damping plate	
1	3191059	00	Vibration damping plate 9.5 - 20.0 kW RAL 7016	1
2	3240615	00	Spring block element set 9.5 - 20.0 kW (eU)	1
3	3070459	00	Countersunk head screw ISO 10642 M12 x 30 8.8 vz	4

ATTENTION: Unwinding data is for information purposes only! Information on outer dimensions and bending allowances do not dismis the checker from inspection!		Tolerances according:		weight:	scale: 1:10	particularity:
				845,3	material:	
				title:		
				Positioning CHP unit 11.0 - 20.0 kW (eU) (Toyota) on vibration damping plate		
		This drawing must not be copied, forwarded, reproduced or otherwise used in any other way.		part number:	raw part number:	sheet:
				3241096		1
				current index:	material thickness:	1 sheets



1:20