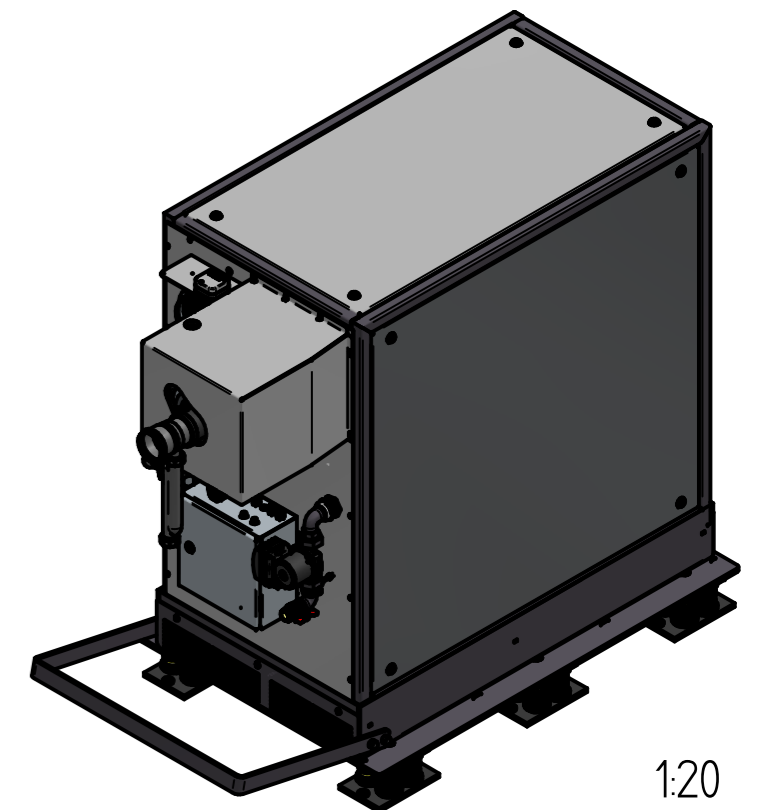


Align the CHP unit at the front with a distance of 21 mm and at the side with 75.5mm or 65.5mm on the vibration damping plate.
 a = Spring block element 3150414
 Back = B (see detail C)
 The spring elements are attached to the foundation on site.

| Pos. | Item No. | rev. | Title | Qty |
|------|----------|------|---|-----|
| | 3241104 | 01 | Positioning CHP unit 17.0 - 30.0 kW (el) on vibration damping plate | |
| 1 | 3191070 | 00 | Vibration damping plate 25.0 - 30.0 kW RAL 7016 | 1 |
| 2 | 3240616 | | Spring block element set 25.0-30.0 kW (el) | 1 |
| 3 | 3070459 | 00 | Countersunk head screw ISO 10642 M12 x 30 8.8 vz | 6 |

| | | | | | | |
|---|--|--|--|---|---------------------|----------------|
| ATTENTION: Unwinding data is for information purposes only! Information on outer dimensions and bending allowances do not dismiss the checker from inspection! | | Tolerances according to: | | weight: | scale: 1:10 | particularity: |
| | | | | 1216,9 | material: | |
| | | | | title: | | |
| | | | | Positioning CHP unit 17.0 - 30.0 kW (el) on vibration damping plate | | |
| | | This drawing must not be copied, forwarded, reproduced or otherwise used in any other way. | | part number: | raw part number: | sheet: |
| | | | | 3241104 | | 1 |
| | | | | current index: | material thickness: | 1 sheets |
| | | | | | | |



1:20