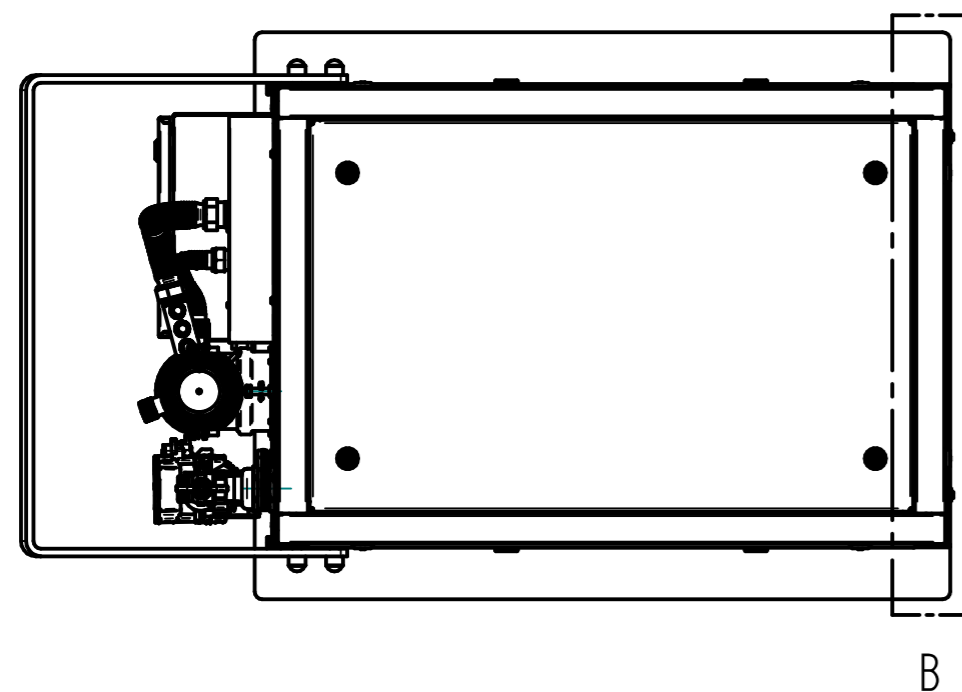
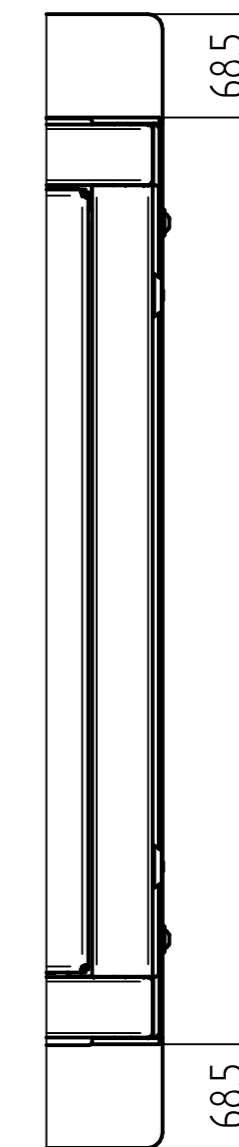
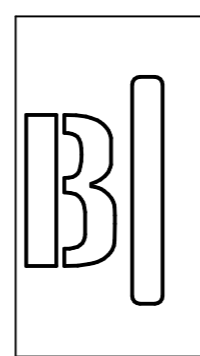


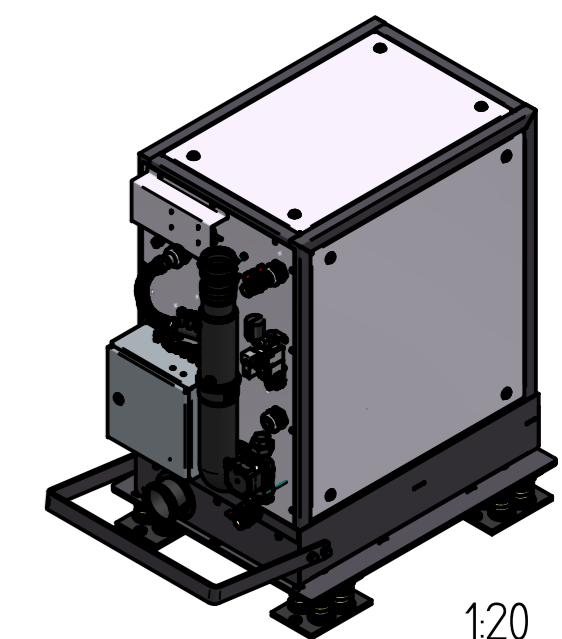
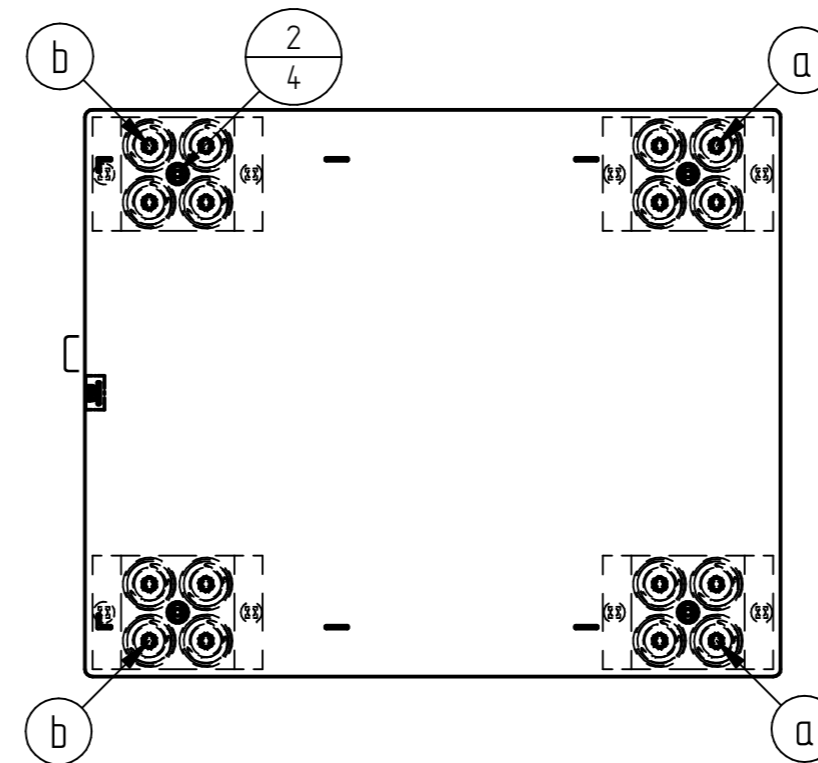
detail B
1:5



detail C
1:1



section A-A



Align the front of the CHP unit flush and centered on the vibration damping plate.
 a = Spring block element 3150413 = Front
 b = Spring block element 3150414 = Back (see detail C)
 The spring elements are attached to the foundation on site.

Pos.	Item No.	rev.	Title	Qty
	3241102	01	Positioning CHP unit 2.0 - 5.0 kW (eU) on vibration damping plate	
1	3191068		Vibration damping plate 2.0 - 7.2 kW RAL 7016	1
2	3070459	00	Countersunk head screw ISO 10642 M12 x 30 8.8 vz	4
3	3240614		Spring block element set 2.0-7.2 kW (eU)	1

ATTENTION: Unwinding data is for information purposes only! Information on outer dimensions and bending allowances do not dismiss the checker from inspection!		Tolerances according:		weight: 496,0kg	scale: 1:10	particularity: material:	
				title: Positioning CHP unit 2.0 - 5.0 kW (eU) on vibration damping plate			
		This drawing must not be copied, forwarded, reproduced or otherwise used in any other way.		part number: 3241102	raw part number:	sheet: 1	1 sheets
ind.	modification	date	name	origin:	modification:	current index:	material thickness: