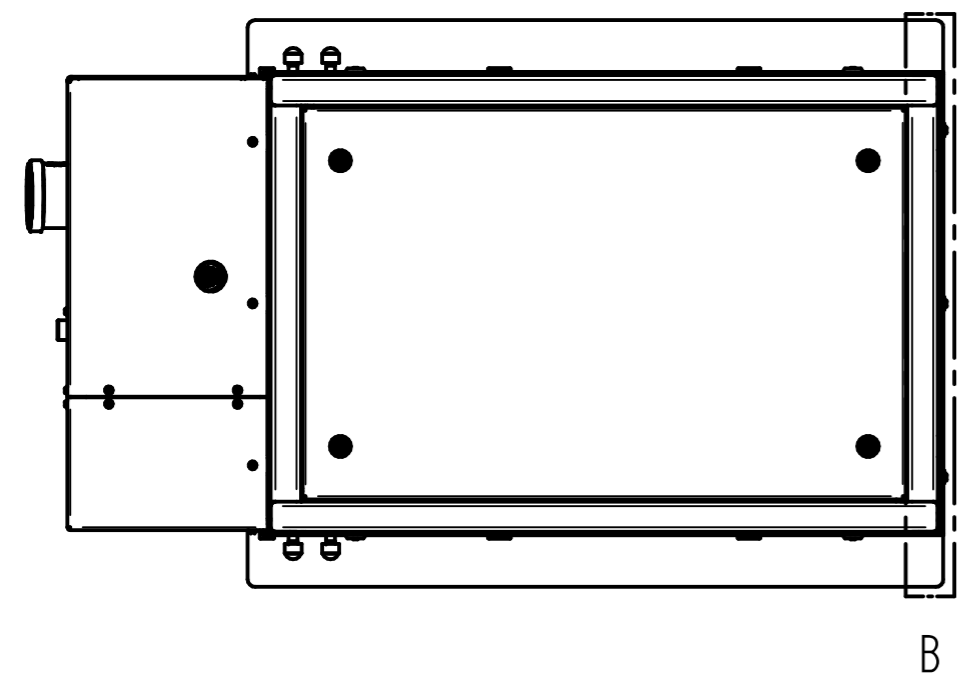
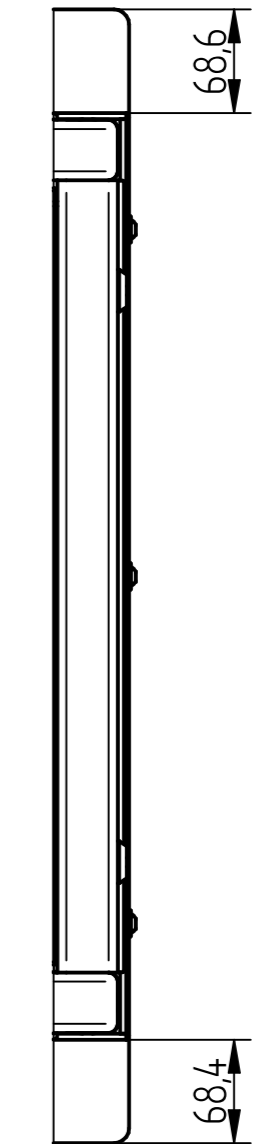
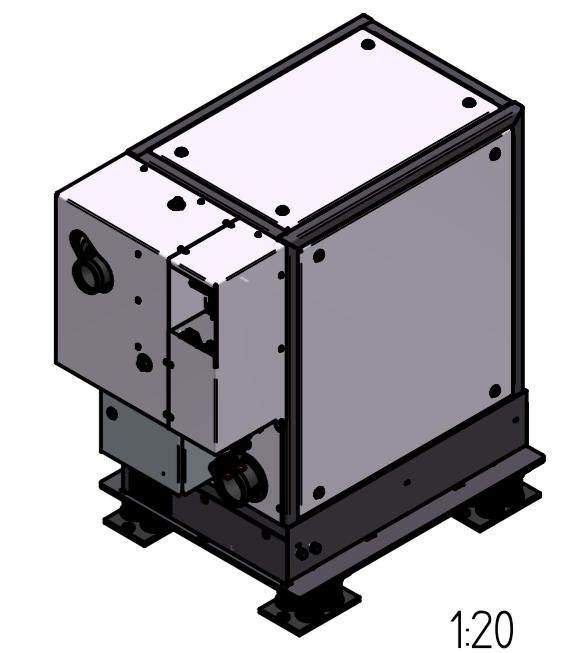
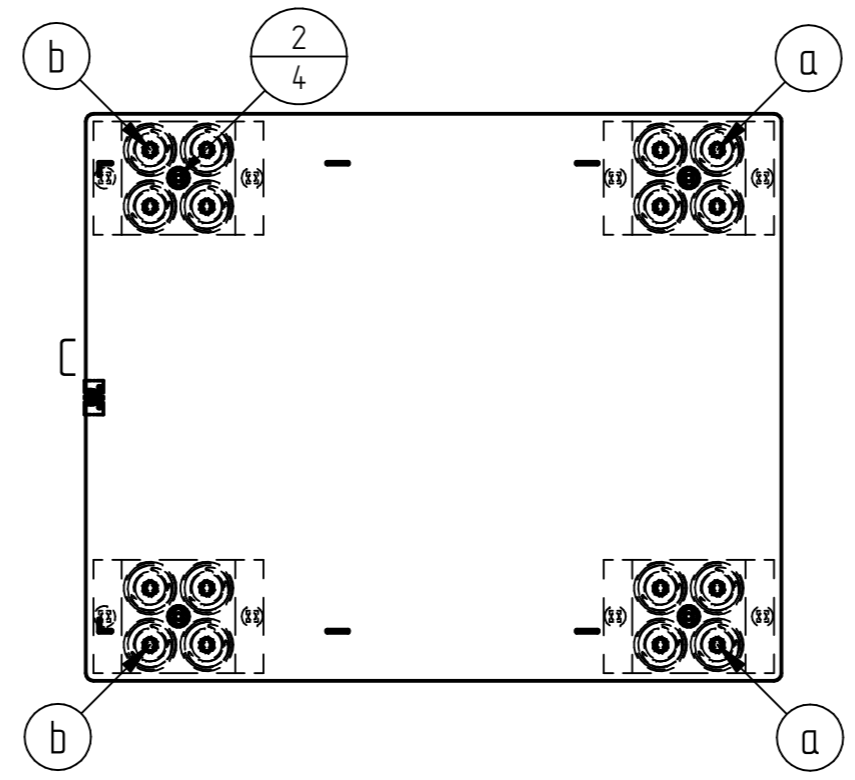


detail B
1:5



section A-A

detail C
1:1

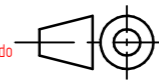


Align the front of the CHP unit flush and centered on the vibration damping plate.

- a = Spring block element 3150413 = Front
- b = Spring block element 3150414 = Back (see detail C)

The spring elements are attached to the foundation on site.

Pos.	Item No.	rev.	Title	Qty
	3241103	00	Positioning CHP unit 5.0, 7.2 kW (el) on vibration damping plate	
1	3191068		Vibration damping plate 2.0 - 7.2 kW RAL 7016	1
2	3070459	00	Countersunk head screw ISO 10642 M12 x 30 8.8 vz	4
3	3240614		Spring block element set 2.0-7.2 kW (el)	1

ATTENTION: Unwinding data is for information purposes only! Information on outer dimensions and bending allowances do not dismiss the checker from inspection!		Tolerances according:		weight: 576,1 kg	scale: 1:10	particularity:
				material:		
				title: Positioning CHP unit 5.0, 7.2 kW (el) (Toyota) on vibration damping plate		
		This drawing must not be copied, forwarded, reproduced or otherwise used in any other way.		part number: 3241103	raw part number:	sheet: 1
ind.	modification	date	name	origin:	current index:	material thickness: