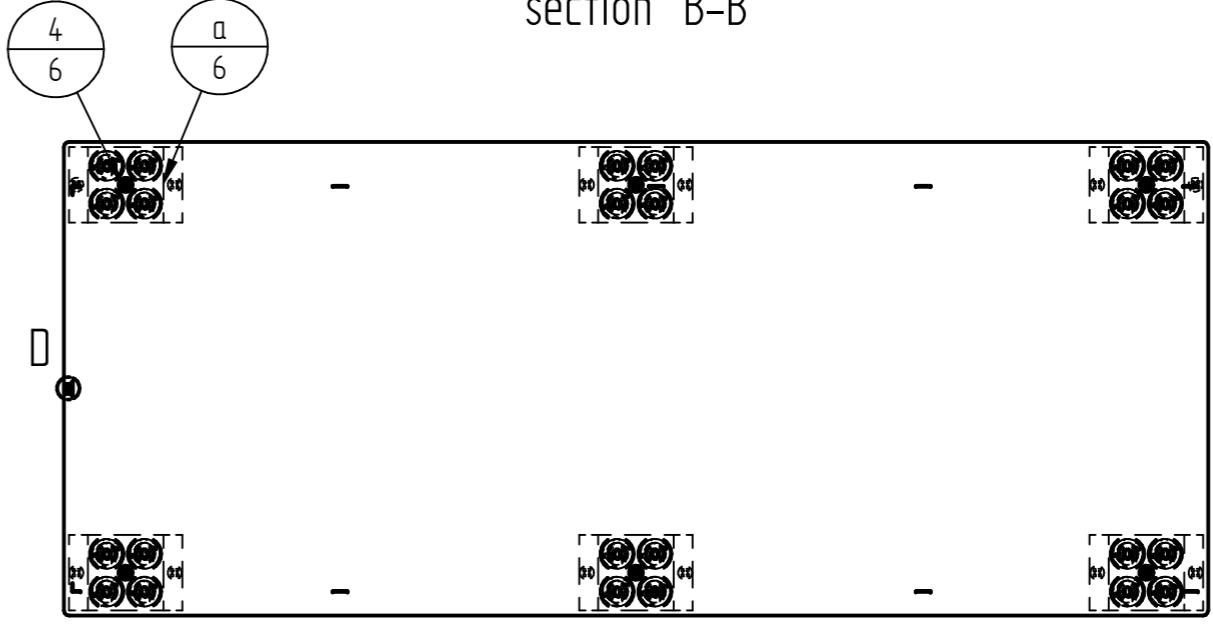
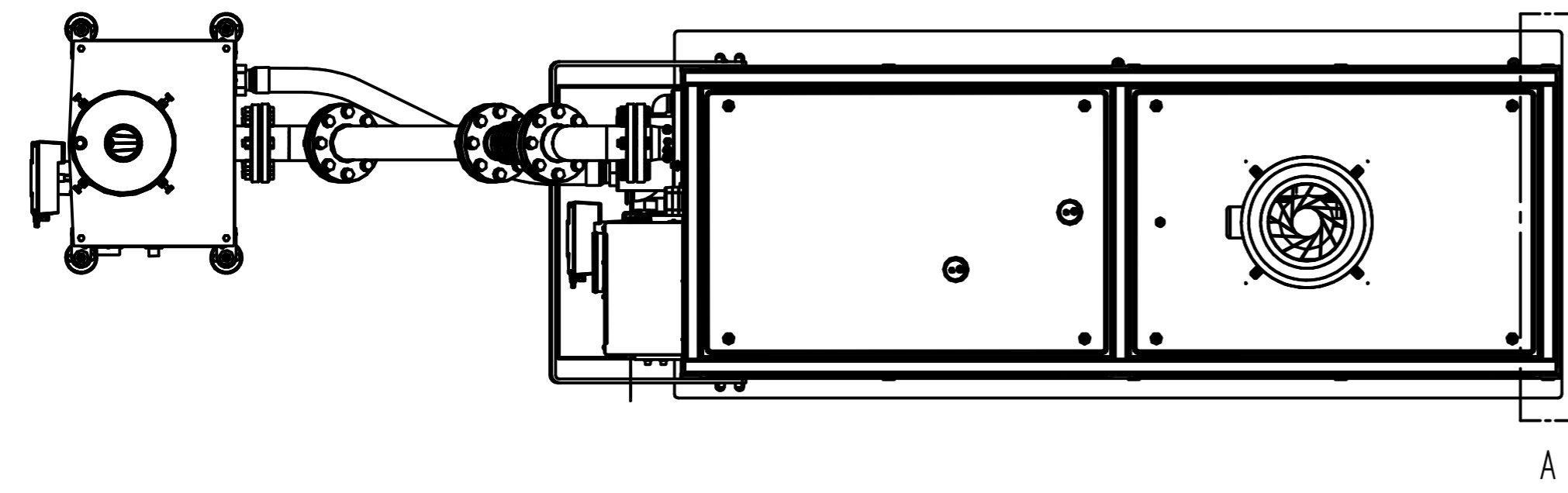
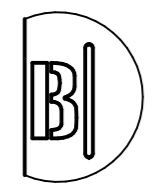


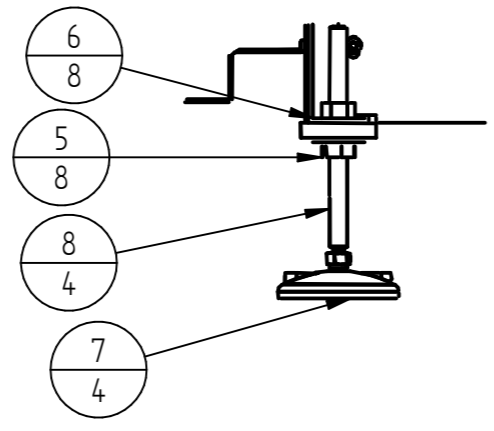
section B-B



detail D  
1:2



detail C  
1:5



Align the CHP unit flush at the front and at the sides with a distance of 50 or 90 mm on the vibration damping plate.  
 a = Spring block element 3150433  
 Back = B (see detail D)  
 The spring elements are attached to the foundation on site.

Pos.	Item No.	rev.	Title	Qty
	3241192	00	Positioning CHP unit 50.0 kW (eU) BW on vibration damping plate	
1	3010503		50.0 kW (eU) BW	1
2	3191069	00	Vibration damping plate 50.0 kW (eU) BW RAL 7016	1
3	3240617	00	Spring block element set 50.0 kW (eU) BW	1
4	3070459	00	Countersunk head screw ISO 10642 M12 x 30 8.8 vz	6
5	3070023	00	Hexagon nut ISO 4032 M12 vz	8
6	3070146	00	Mudguard washer M12 galvanized DIN 9021 140 HV	8
7	3071063	00	Articulated feet with Ø80mm screw-on holes	4
8	3071062	00	Threaded spindle for articulated feet M12x150mm	4

ATTENTION Unwinding data is for information purposes only! Information on outer dimensions and bending allowances do not dismis the checker from inspection!		Tolerances according:	weight:	scale: 1:15	particularity:
				material:	
				title:	
				Positioning CHP unit 50.0 kW (eU) BW on vibration damping plate	
		This drawing must not be copied, forwarded, reproduced or otherwise used in any other way.		part number:	raw part number:
				3241192	
				current index:	material thickness:
ind.	modification	date	name	origin:	
				sheet:	1
				1	sheets

