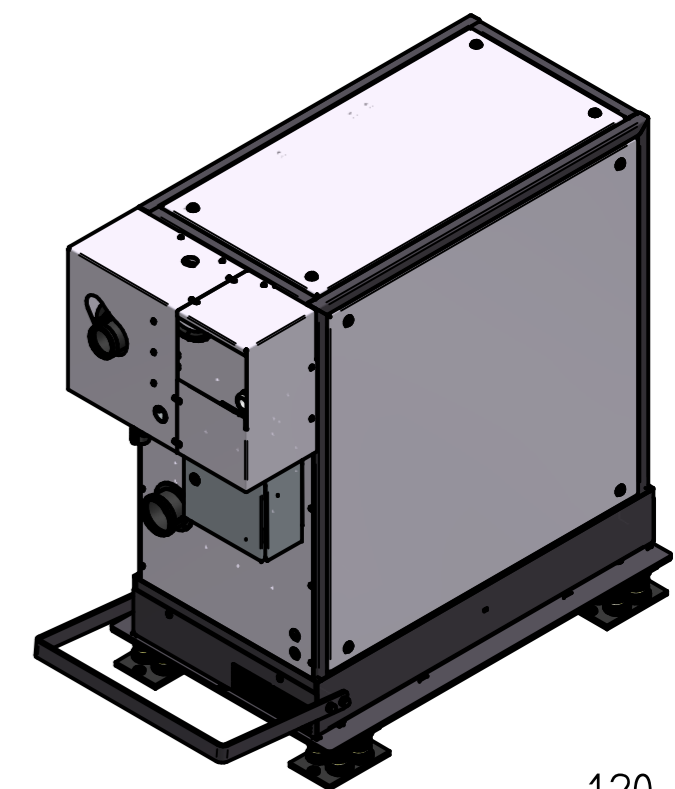
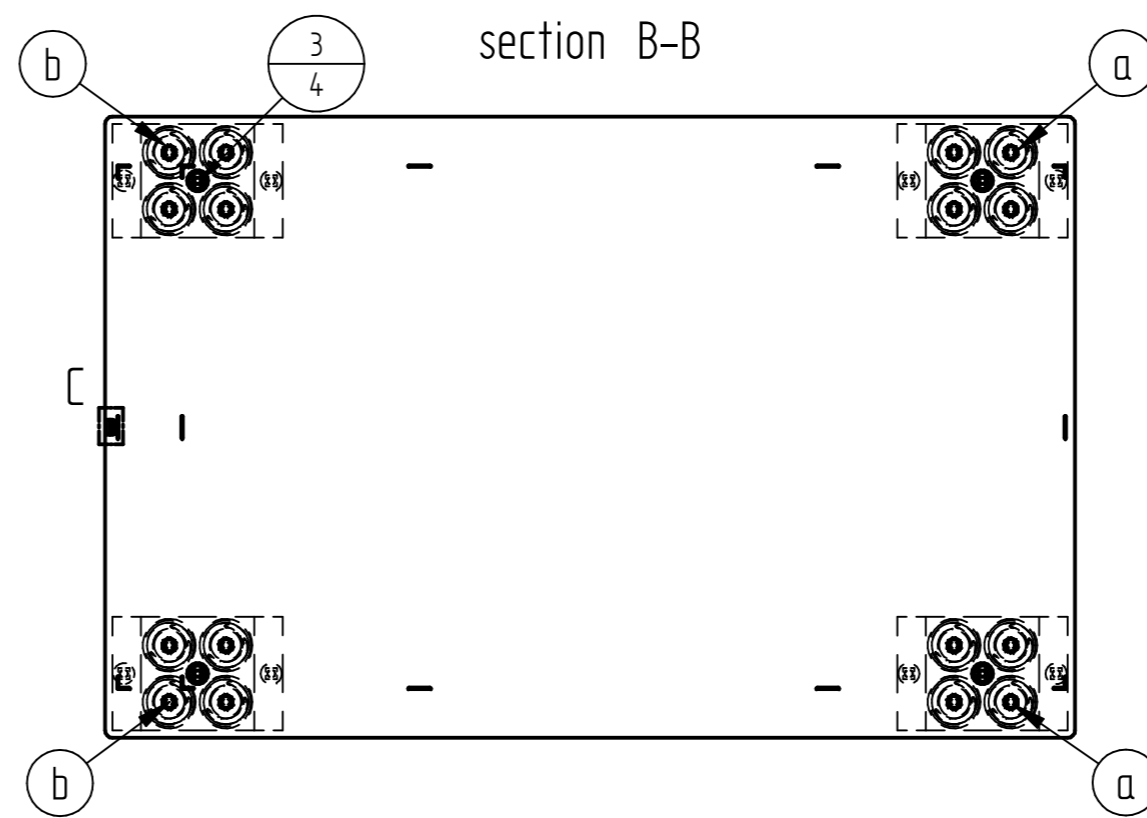
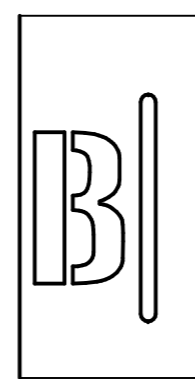


detail C
1:1



1:20

Align the front of the CHP unit flush and centered on the vibration damping plate.

a = Spring block element 3150414 = Front

b = Spring block element 3150415 = Back (see detail C)

The spring elements are attached to the foundation on site.

Pos.	Item No.	rev.	Title	Qty
	3241095	02	Positioning CHP unit 8.0 - 12.5 kW (el) on vibration damping plate	
1	3191059	00	Vibration damping plate 9.5 - 20.0 kW RAL 7016	1
2	3240615	00	Spring block element set 9.5-20.0 kW (el)	1
3	3070459	00	Countersunk head screw ISO 10642 M12 x 30 8.8 vz	4

ATTENTION: Unwinding data is for information purposes only! Information on outer dimensions and bending allowances do not dismis the checker from inspection!		Tolerances according:		weight: 950,6	scale: material:	particularity:	
				title: Positioning CHP unit 8.0 - 12.5 kW (el) on vibration damping plate			
		This drawing must not be copied, forwarded, reproduced or otherwise used in any other way.		part number: 3241095	raw part number:	sheet: 1	1 sheets
ind.	modification	date	name	origin:	modification:	current index:	material thickness: