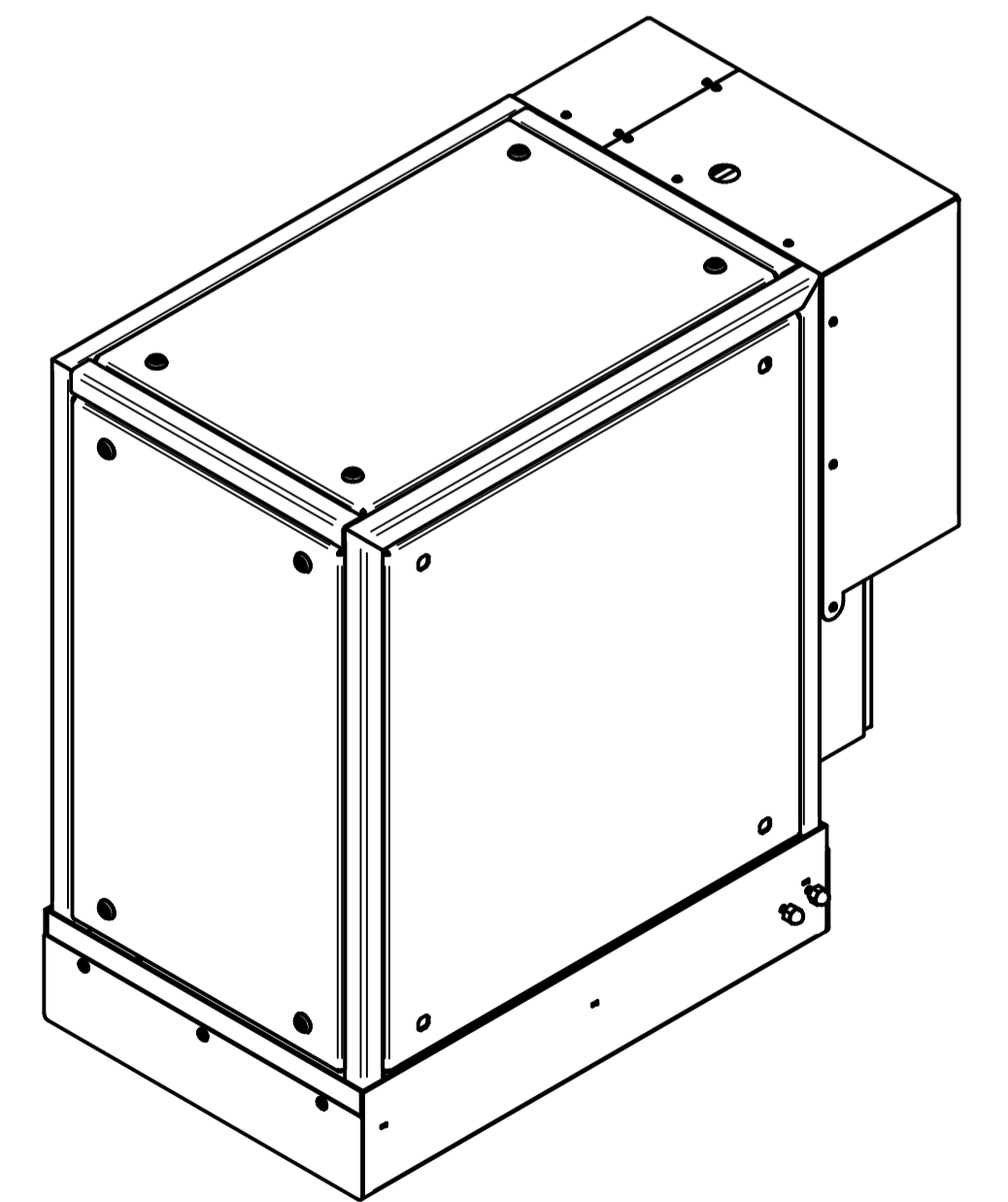
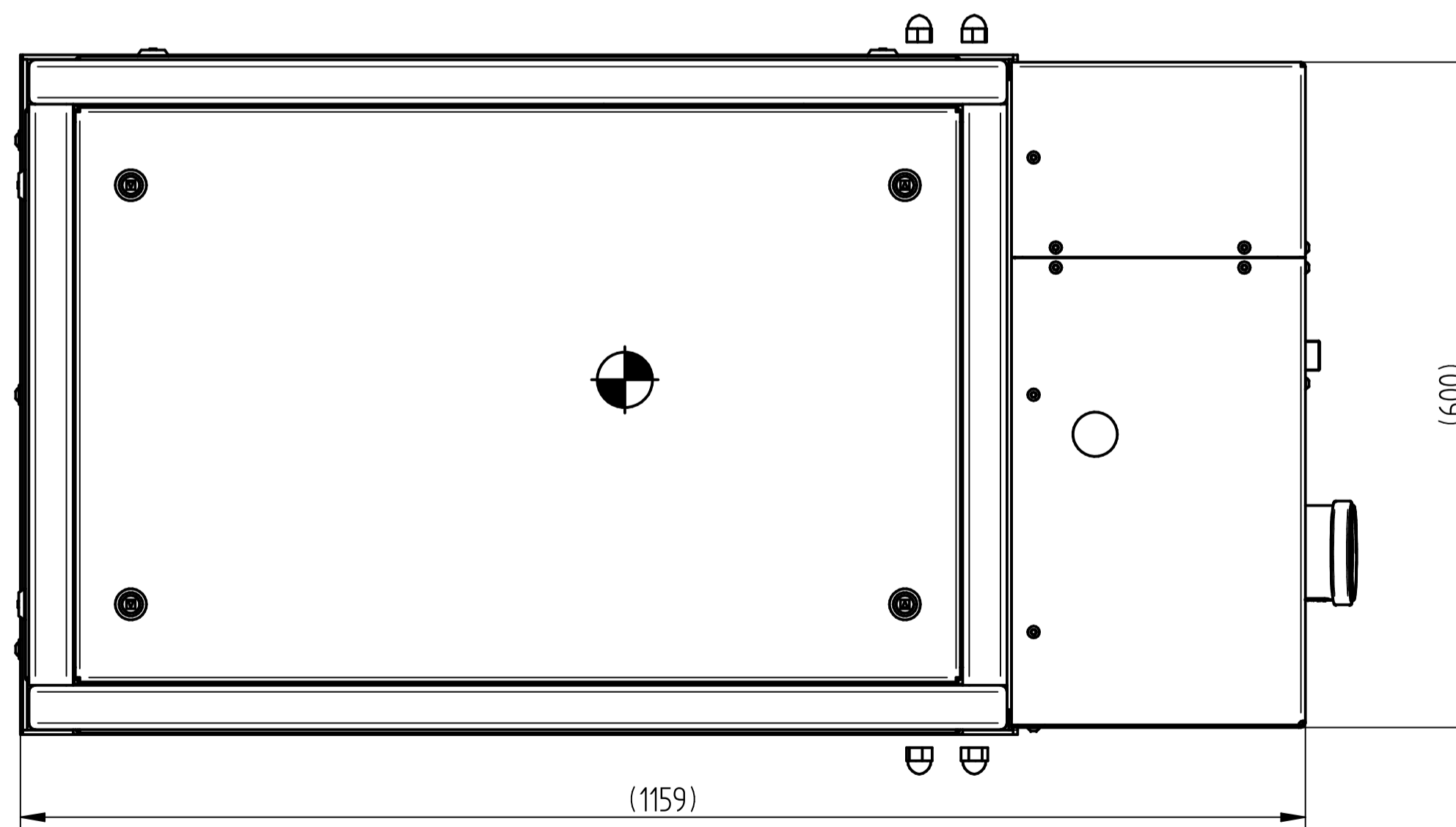
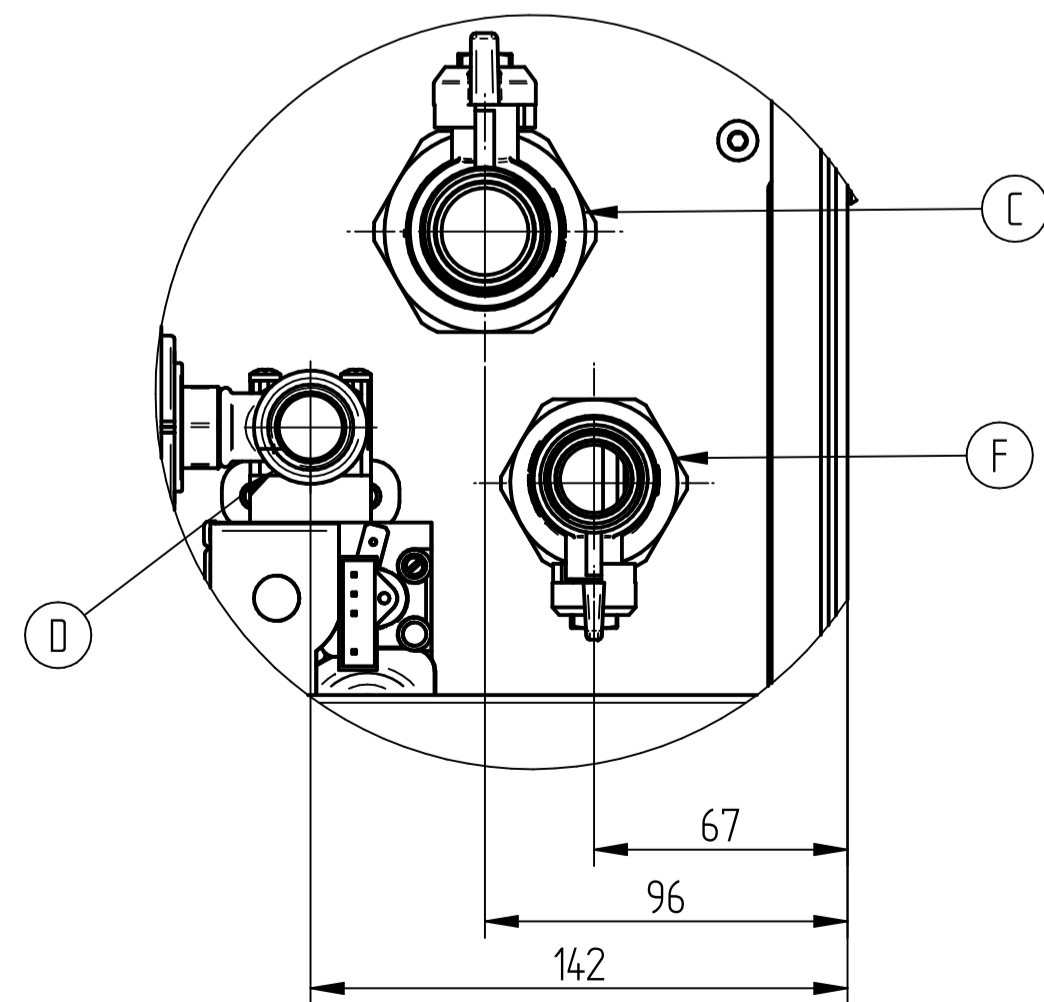


Deutsch		
Position	Bezeichnung	Anschlusstyp
A	Abgas	DN80
B	Rücklauf	1" AG
C	Vorlauf	1" AG
D	Brennstoff	1/2" IG
E	Schutzbügel (demontierbar)	
F	für MAG Anschlussgruppe	3/4" AG
G	Abluft	DN 100
H	Kondensat	3/4" AG
I	Zuluft	
English		
position	designation	connection type
A	flue gas	DN80
B	flow return	1" AG
C	flow heating	1" AG
D	fuel gas	1/2" IG
E	transport protection (removable)	
F	expansion vessel	3/4" AG
G	exhaust air	DN 100
H	condensate	3/4" AG
I	supply air	

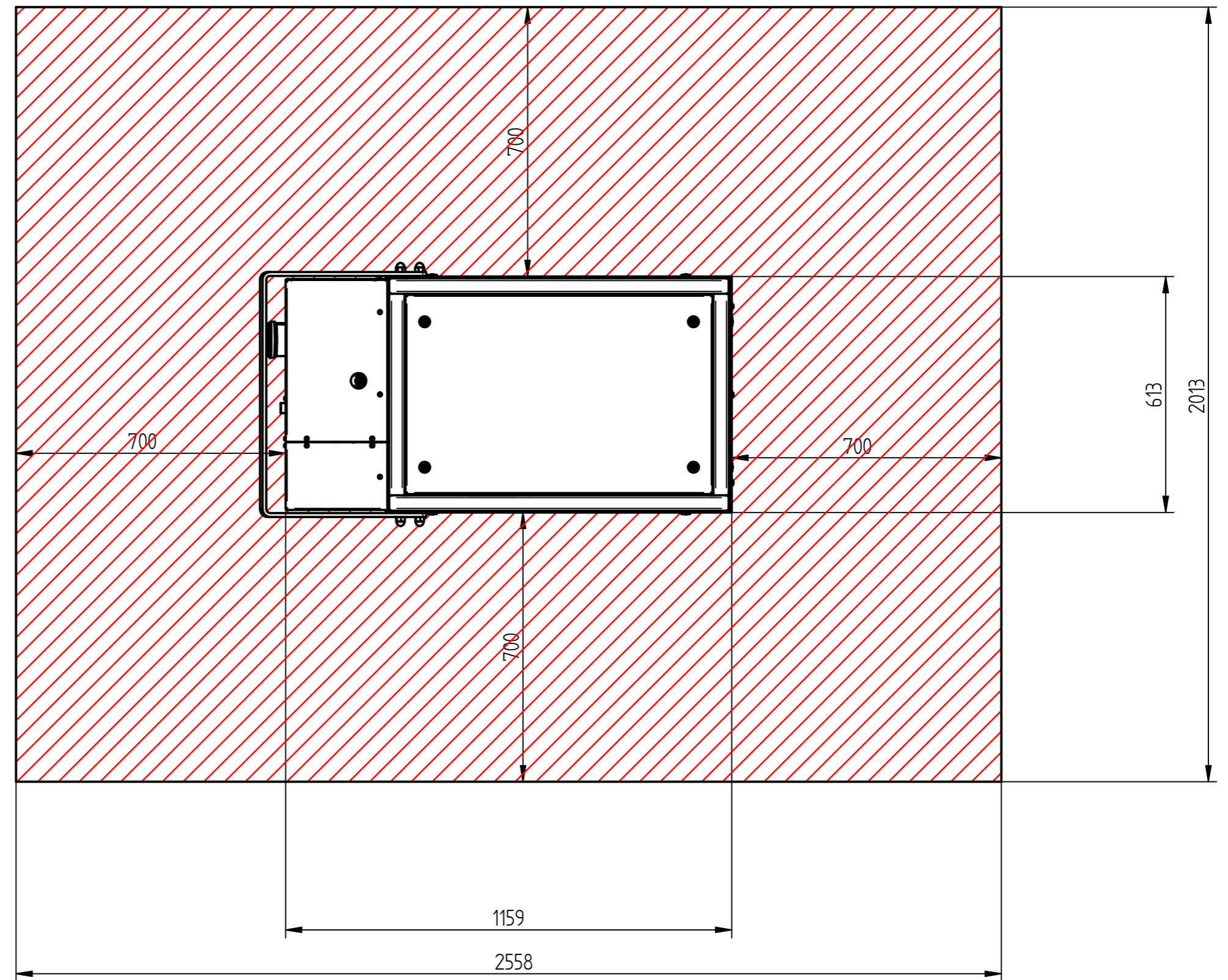
detail A
1:2



ATTENTION Drawing data is for information purpose only. Information on other dimensions and bending allowances do not displace the checker from responsibility.				Tolerances according	weight	scale 1:5	particularity
					444,0 kg	material:	
				title			
				5.0/7.2kW (eU)			
				part number:		row part number:	
				sheet 1		sheet 2	
ind.	modification	date	name	orig.	modification	current index	material, thickness

Mindestanforderung freier Wartungsraum
(Minimum maintenance room)

Mindestanforderung freier Wartungsraum
über BHKw 700mm
(Minimum maintenance room above CHP 700mm)



Sollten die Mindestanforderung nicht eingehalten werden können,
nehmen Sie bitte Kontakt zum Hersteller auf,
um Lösungsmöglichkeiten abzusprechen.
If the minimum requirement can not be met,
please contact the manufacturer to discuss possible solutions.

ATTENTION Unwinding data is for information purposes only! Information on outer dimensions and bending allowances do not dismis the checker from inspection!				Tolerances according:		weight: 444,0 kg	scale: 1:12	particularity:	
				This drawing must not be copied, forwarded, reproduced or otherwise used in any other way.		part number:	title: 5.0/7.2kW (eU)		sheet: 2
ind.	modification	date	name	origin:	modification:	current index:	material thickness:		2 sheets