

Deutsch

Position	Bezeichnung	Anschlussstyp
A	Abgas	DN80
B	Rücklauf	1" AG
C	Vorlauf	1" AG
D	Brennstoff	1/2" IG
E	Schutzbügel (demontierbar)	
F	MAG Anschlussgruppe	3/4" AG
G	Abluft	DN100
H	Kondensat	3/4" AG
I	Zuluft	

English

position	designation	connection type
A	exhaust	DN80
B	flue gas	1" AG
C	flow heating	1" AG
D	fuel gas	1/2" IG
E	transport protection (removable)	
F	expansion vessel	3/4" AG
G	exhaust air	DN100
H	condensate	3/4" AG
I	supply air	

ATTENTION: Drawing data is for information purposes only. Information on other dimensions and bending allowances do not disengage the checker from inspection.

Tolerances according to ISO 2768-MK

weight: 719,0 kg

scale: 1:5

particularity: material

title: 11.0/16.0/20.0 kW (eU)

This drawing must not be copied, forwarded, reproduced or otherwise used in any other way.

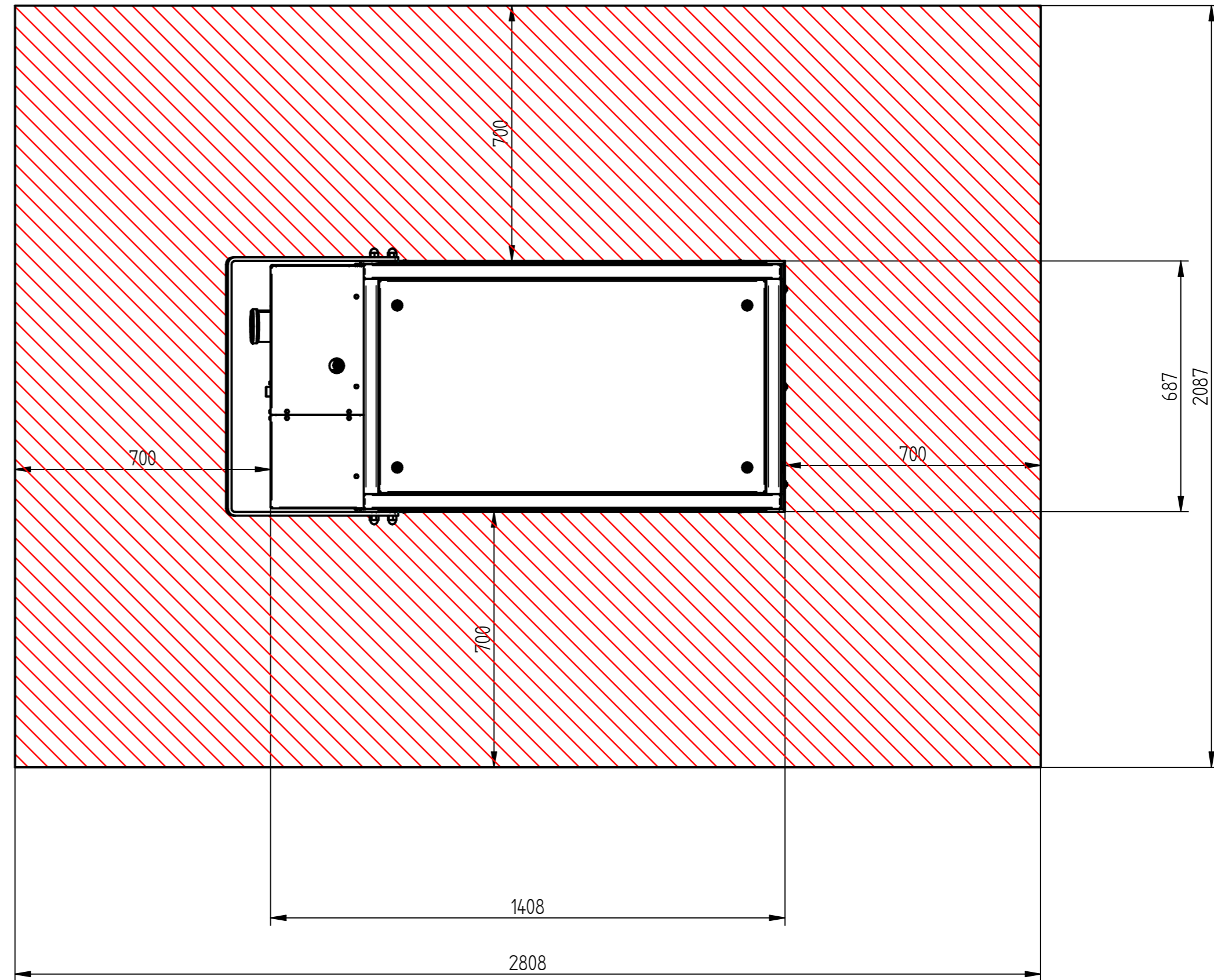
part number: row part number: sheet 1 of 2

ind. modification date name origin modification: current index material thickness

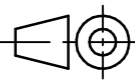
1:10

Mindestanforderung freier Wartungsraum
(Minimum maintenance room)

Mindestanforderung freier Wartungsraum
über BHKw 700mm
(Minimum maintenance room above CHP 700mm)



Sollten die Mindestanforderung nicht eingehalten werden können,
nehmen Sie bitte Kontakt zum Hersteller auf,
um Lösungsmöglichkeiten abzusprechen.
If the minimum requirement can not be met,
please contact the manufacturer to discuss possible solutions.

ATTENTION Unwinding data is for information purposes only! Information on outer dimensions and bending allowances do not disburse the checker from inspection!			Tolerances according:	weight: 719,0 kg	scale: 1:12	particularity:
					material:	
				title: 11.0/16.0/20.0 kW (eU)		
		This drawing must not be copied, forwarded, reproduced or otherwise used in any other way.		part number:	raw part number:	sheet: 2
				current index:	material thickness:	2 sheets
ind.	modification	date	name	origin:	modification:	current index: