



**Fastening sets for silencer
and connection lines
D 60 to D 250**

Planning and assembly instructions

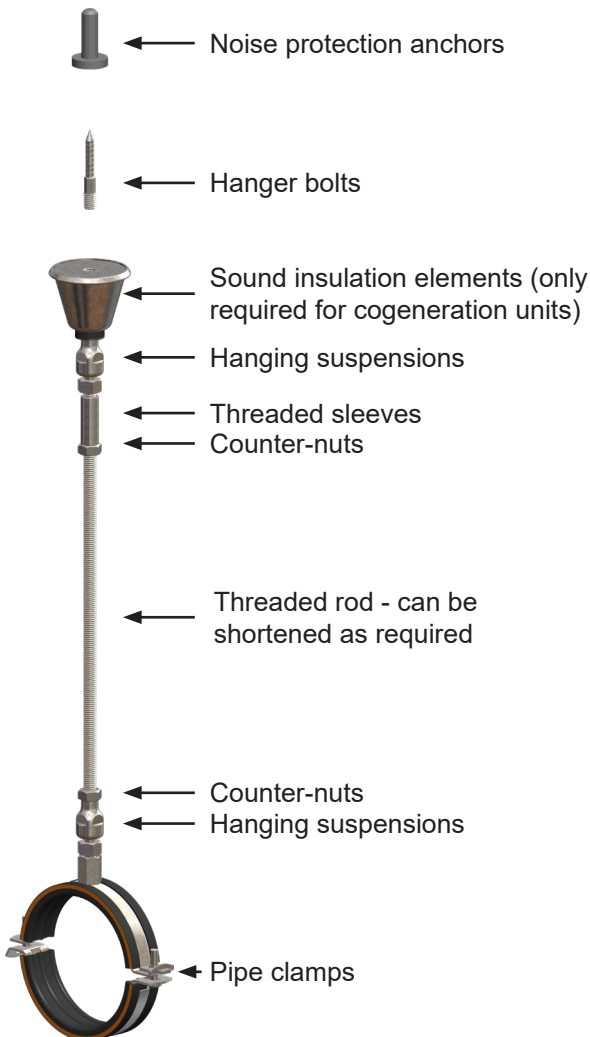
Fastening sets

1. General information

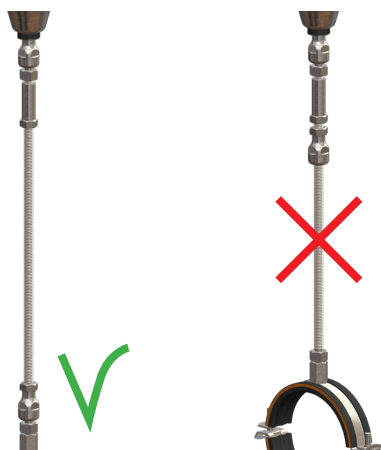
⚠ Please observe the important information on the rear

2. Fastening sets

For minimising the transmission of structure-borne sound and vibrations to buildings and to facilitate the possibility of expansion for the connecting lines. For use with ATEC silencers and connection lines made from polypropylene (PP). High sound reduction up to 26 dB(A).

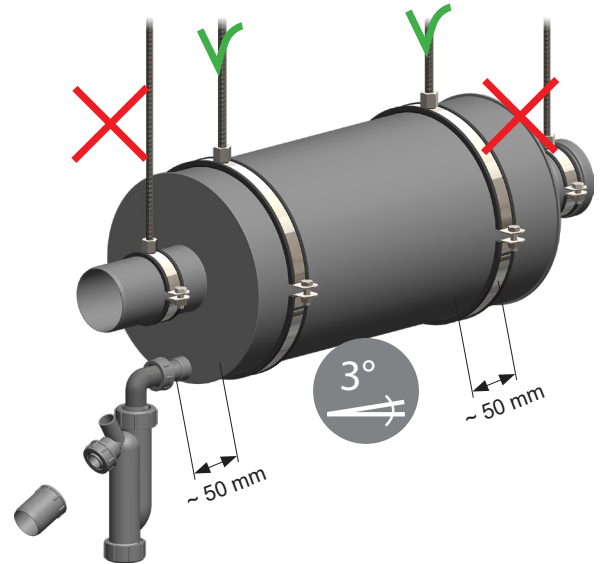


The hanging suspensions should be placed at the ends, i.e. at the top and bottom, if possible:



3. Suspension

- ⚠ With silencers, always attach 2 pipe clamps to the silencer housing, not to the nozzles!
- ☞ Distance from side edge of the silencer approx. 50mm.
- ☞ Silencers, as well as the connecting lines, must be installed with a 3° slope!

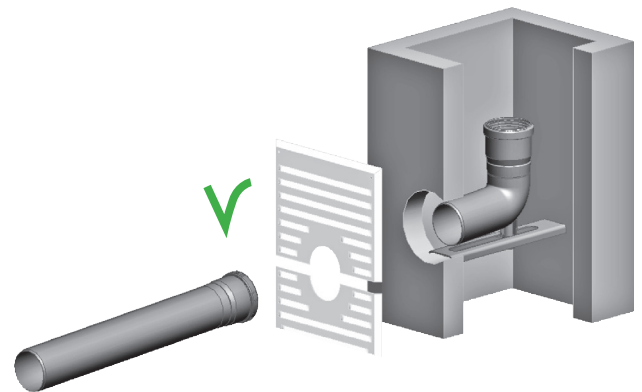


- ☞ For an optimal insulation function, tighten the clamping screws of the pipe clamps only hand-tight (tightening torque 2 Nm)! For technical details see page 4.



4. Connection line

- ⚠ The connection line must not be walled in, partly due to the transmission of structure-borne sound!
- ☞ Use wall panels.



4. Noise protection anchors

Noise reduction of up to 16 dB(A)

The design with sound insulation collar avoids structure-borne sound bridges even with objects adjacent to the wall.

Very good screw guidance, no lateral break-out.

Application:

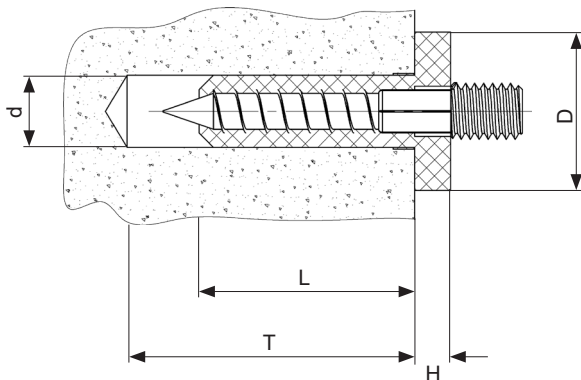
For anchoring in concrete, natural stone, solid brick, sand-lime brick, perforated brick and wood to decouple structure-borne noise.



Technical details

Material	EPDM
Anchor \varnothing d = hole \varnothing in mm	10
Anchor length L in mm	30
Collar \varnothing x collar height D x H in mm	22 x 5
Hole depth T in mm	40
Screw-in depth with collar in mm	34
Load values¹⁾	
max. recommended tensile load in N	150
max. recommended transverse load in N	350

⚠ ¹⁾ Load values for concrete strength class \geq B25 with maximum screw diameter according to the preceding table and anchor application according to the following installation instructions (a safety factor $v = 5$ is included in the recommended loads). If deviation from the concrete strength class \geq B25 occurs on construction sites, the load values must be determined separately!



⚠ For all friction-locked and material-locked anchor connections, the load-bearing capacity of the anchor is decisively influenced by the cleanliness of the drilled hole. Residues, such as drilling dust, reduce the load-bearing capacity of the connection. For this reason, the drill hole should be blown out or brushed out before inserting the anchor.

5. Hanger bolts

Technical details



Material	Galvanized steel
Connection thread	M8
Total length in mm	50
Timber thread	H7
Length of timber thread in mm	30
Length of metric thread in mm	10
Width across flats	6

6. Threaded rods

Technical details



Material	Galvanized steel
Thread	M8
Length in mm	500
Strength class	4,8

7. Threaded sleeve

for extending threaded rods



Technical details

Material	Galvanized steel
Thread	M8
Length in mm	30

8. Noise insulation element

High noise reduction of up to 26 dB(A)

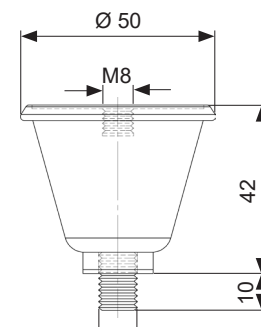
Application

For fastening silencers and connection lines.



Technical details

Outside material	Galvanized steel
Inner material	EPDM
Connection thread	M8
Maximum recommended load (with optimum sound insulation) axial tension in N	600



Fastening sets

9. Hanging suspensions

Loose point attachment for suspended silencer and connection lines.
Enables axial as well as radial pipe movements with temperature-related linear expansion.

Application

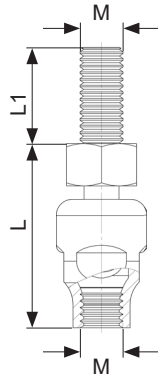
Degree of freedom 360°
Major deflection from the vertical.
Adjustment of the pipe height to suit the task by means of the corresponding threaded rod length.
Height adjustment can be finely adjusted by the screw-in depth of the thread.



Technical details

Material	Galvanized steel
Connection thread	M8
Construction height L in mm	34
Thread length L1 in mm	18
Deflection from the vertical	up to 12°
Max. recommended load in N	2400

⚠ For secure, tilt-free pipe guidance, two pendulum joints must be provided per fastening point.
The threaded rod must be secured against loosening with a counter-nut.



10. Pipe clamps

With highly elastic sound insulation insert with an average sound level improvement of 18 dB(A).
Quick and convenient insertion and fastening of the pipe due to catch lock.
Easy mounting of the pipe clamp due to wide opening angle.
Stiffening of the clamp due to bead geometry.
Easy engagement of the locking screw with the fingertip.

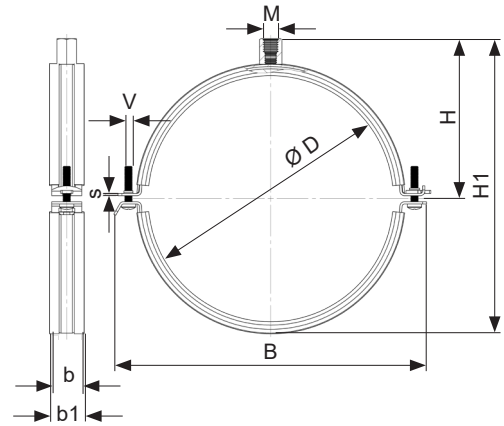
Application

For fastening silencers and connection lines.



Technical details

Material	Galvanized steel
Insert material	EPDM
Connection thread	M8/M10
Max. recommended load in N	2400



Pipe clamp dimensions

	D 60	D 80	D 100	D 110	D 125	D 160	D 200	D 250
V	M6	M5	M5	M5	M5	M5	M5	M6
b x s	20 x 1,75	20 x 1,5	20 x 1,5	20 x 1,5	20 x 1,5	20 x 1,5	20 x 1,5	25 x 1,5
B	107	124	149	157	170	205	245	312
b1	23	23	23	23	23	23	23	28
H	56	65	76	82	88	106	126	151
H1	96	114	135	147	160	195	235	285

11. General information

These assembly instructions do not claim to be complete. Assembly is the responsibility of the skilled tradesman. We recommend consulting with the authorised district chimney sweep.

When erecting exhaust gas systems, it is necessary to consider further building regulations, standards, provisions and ordinances, as well as the installation instructions for the heating devices to be connected.

For more details please refer to the planning and assembly instructions for exhaust gas and exhaust air systems in the download area.



12. Safety instructions

Please always observe the usual protective measures.