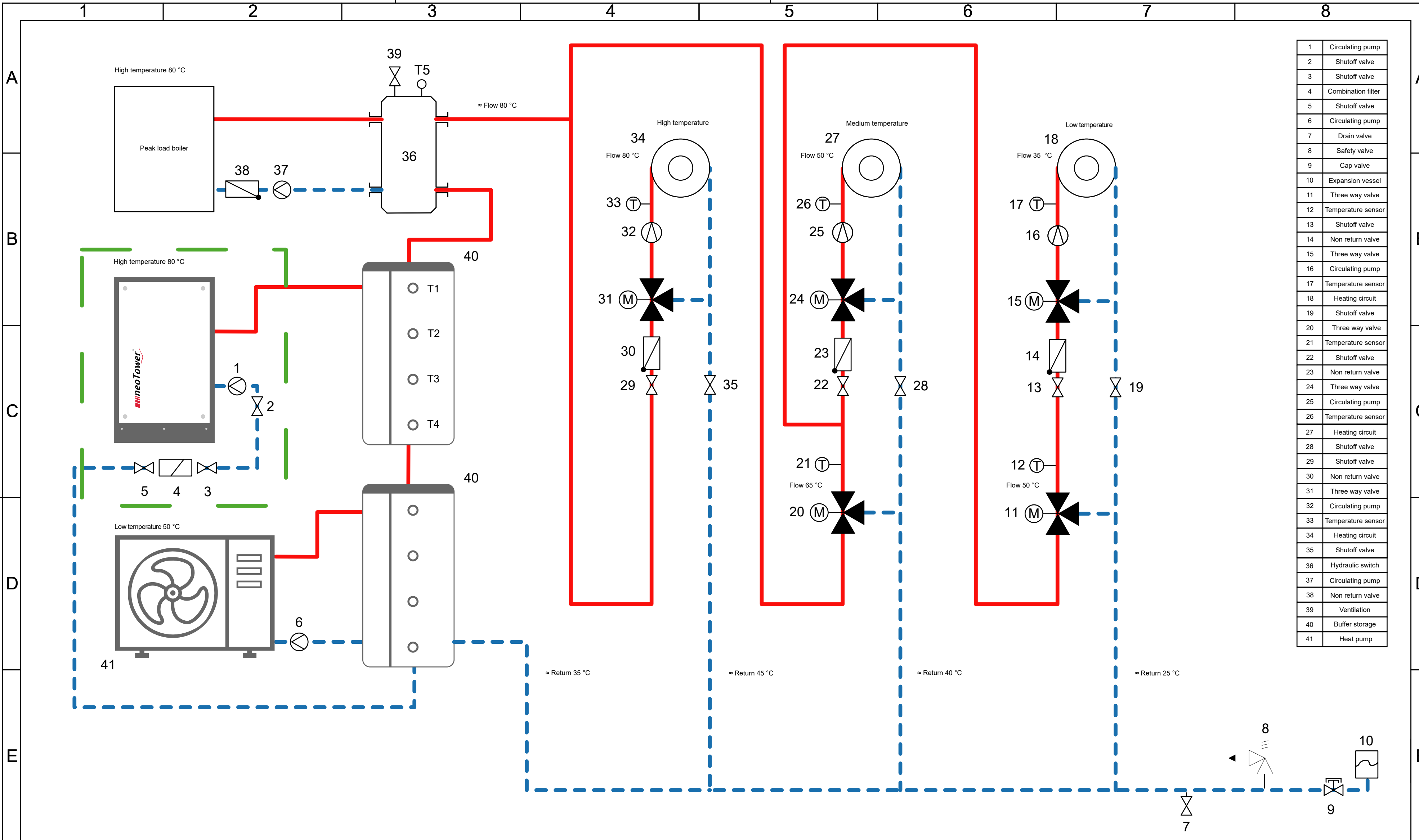


1	Circulating pump
2	Shutoff valve
3	Shutoff valve
4	Combination filter
5	Shutoff valve
6	Circulating pump
7	Circulating pump
8	Drain valve
9	Safety valve
10	Cap valve
11	Expansion vessel
12	Three way valve
13	Temperature sensor
14	Shutoff valve
15	Non return valve
16	Three way valve
17	Circulating pump
18	Temperature sensor
19	Heating circuit
20	Shutoff valve
21	Three way valve
22	Temperature sensor
23	Shutoff valve
24	Non return valve
25	Three way valve
26	Circulating pump
27	Temperature sensor
28	Heating circuit
29	Shutoff valve
30	Shutoff valve
31	Non return valve
32	Three way valve
33	Circulating pump
34	Temperature sensor
35	Heating circuit
36	Shutoff valve
37	Hydraulic switch
38	Circulating pump
39	Non return valve
40	Ventilation
41	Buffer storage
42	Heat pump

Water quality according to VDI 2035, please refer technical data sheet neoTower®	Address: Hauptstraße 543a 26683 Saterland	Created by: MB	This drawing is the property of RMB/ENERGIE GmbH. It may not be copied, forwarded, reproduced or in any other way, not be used for your purpose.	Title:  Hydraulics of the neoTower® with large peak load boiler and two heat pump
RMB: The scope of delivery of the neoTower® includes all green edged parts including sensor set T1 to T5 (50.0 kW excl. Position 3, 4, 5, 6)	+49 4498 92288-0 info@rmbenergie.de	Approved by: JB		Hydraulic drawing 8
Pipe dimensioning according to the maximum heat requirement of the object (heating circuit) and the max. thermal performance of the neoTower®	 A YANMAR COMPANY		Color coding: Flow Return Delivery neoTower®	Date: 08/2022
Buffer storage hydraulically decoupled connect according to the diagram			<div style="text-align: right;">A3</div>	

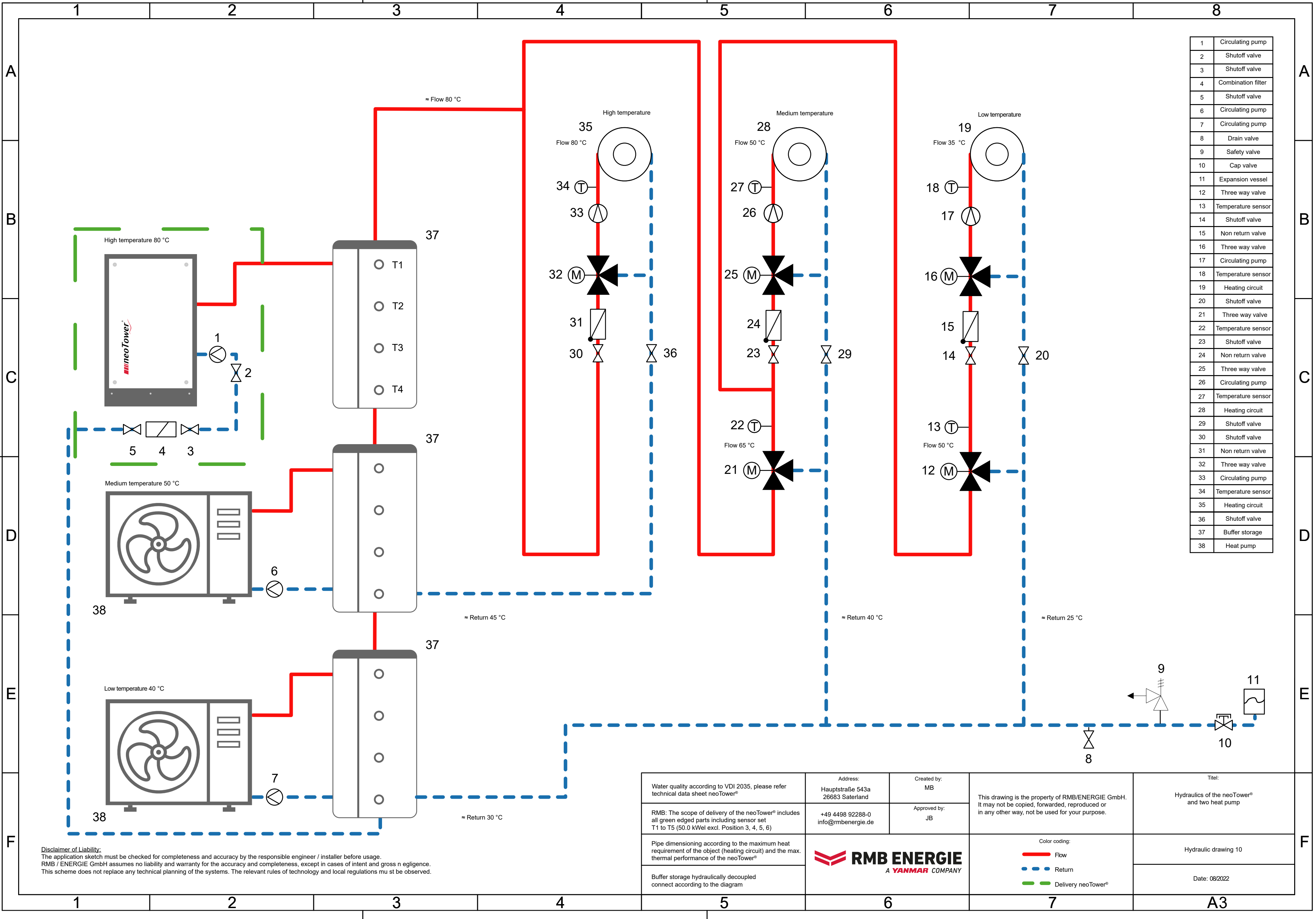
**Disclaimer of Liability:**  
 The application sketch must be checked for completeness and accuracy by the responsible engineer / installer before usage. RMB / ENERGIE GmbH assumes no liability and warranty for the accuracy and completeness, except in cases of intent and gross negligence. This scheme does not replace any technical planning of the systems. The relevant rules of technology and local regulations must be observed.



1	Circulating pump
2	Shutoff valve
3	Shutoff valve
4	Combination filter
5	Shutoff valve
6	Circulating pump
7	Drain valve
8	Safety valve
9	Cap valve
10	Expansion vessel
11	Three way valve
12	Temperature sensor
13	Shutoff valve
14	Non return valve
15	Three way valve
16	Circulating pump
17	Temperature sensor
18	Heating circuit
19	Shutoff valve
20	Three way valve
21	Temperature sensor
22	Shutoff valve
23	Non return valve
24	Three way valve
25	Circulating pump
26	Temperature sensor
27	Heating circuit
28	Shutoff valve
29	Shutoff valve
30	Non return valve
31	Three way valve
32	Circulating pump
33	Temperature sensor
34	Heating circuit
35	Shutoff valve
36	Hydraulic switch
37	Circulating pump
38	Non return valve
39	Ventilation
40	Buffer storage
41	Heat pump

**Disclaimer of Liability:**  
 The application sketch must be checked for completeness and accuracy by the responsible engineer / installer before usage.  
 RMB / ENERGIE GmbH assumes no liability and warranty for the accuracy and completeness, except in cases of intent and gross negligence.  
 This scheme does not replace any technical planning of the systems. The relevant rules of technology and local regulations must be observed.

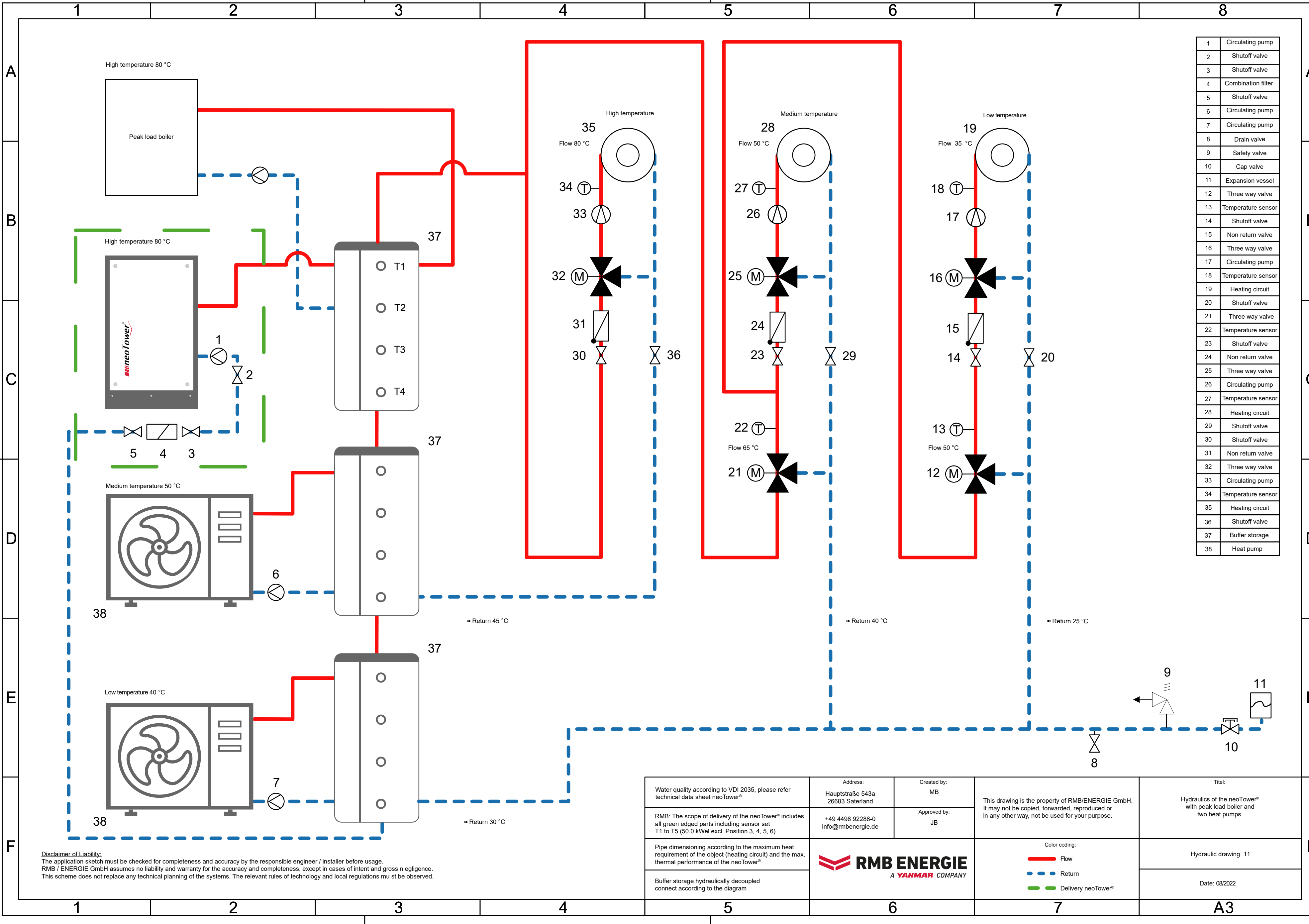
Water quality according to VDI 2035, please refer technical data sheet neoTower®	Address: Hauptstraße 543a 26683 Saterland	Created by: MB	This drawing is the property of RMB/ENERGIE GmbH. It may not be copied, forwarded, reproduced or in any other way, not be used for your purpose.	Title: Hydraulics of the neoTower® with large peak load boiler and heat pump
RMB: The scope of delivery of the neoTower® includes all green edged parts including sensor set T1 to T5 (50.0 kW excl. Position 3, 4, 5, 6)	+49 4498 92288-0 info@rmbenergie.de	Approved by: JB		Hydraulic drawing 9
Pipe dimensioning according to the maximum heat requirement of the object (heating circuit) and the max. thermal performance of the neoTower®	 A YANMAR COMPANY		Color coding: Flow Return Delivery neoTower®	Date: 08/2022
Buffer storage hydraulically decoupled connect according to the diagram			<p style="text-align: right;">A3</p>	



1	Circulating pump
2	Shutoff valve
3	Shutoff valve
4	Combination filter
5	Shutoff valve
6	Circulating pump
7	Circulating pump
8	Drain valve
9	Safety valve
10	Cap valve
11	Expansion vessel
12	Three way valve
13	Temperature sensor
14	Shutoff valve
15	Non return valve
16	Three way valve
17	Circulating pump
18	Temperature sensor
19	Heating circuit
20	Shutoff valve
21	Three way valve
22	Temperature sensor
23	Shutoff valve
24	Non return valve
25	Three way valve
26	Circulating pump
27	Temperature sensor
28	Heating circuit
29	Shutoff valve
30	Shutoff valve
31	Non return valve
32	Three way valve
33	Circulating pump
34	Temperature sensor
35	Heating circuit
36	Shutoff valve
37	Buffer storage
38	Heat pump

**Disclaimer of Liability:**  
 The application sketch must be checked for completeness and accuracy by the responsible engineer / installer before usage.  
 RMB / ENERGIE GmbH assumes no liability and warranty for the accuracy and completeness, except in cases of intent and gross negligence.  
 This scheme does not replace any technical planning of the systems. The relevant rules of technology and local regulations must be observed.

Water quality according to VDI 2035, please refer technical data sheet neoTower®	Address: Hauptstraße 543a 26683 Saterland	Created by: MB	This drawing is the property of RMB/ENERGIE GmbH. It may not be copied, forwarded, reproduced or in any other way, not be used for your purpose.	Title: Hydraulics of the neoTower® and two heat pump
RMB: The scope of delivery of the neoTower® includes all green edged parts including sensor set T1 to T5 (50.0 kW excl. Position 3, 4, 5, 6)	+49 4498 92288-0 info@rmbenergie.de	Approved by: JB		Hydraulic drawing 10
Pipe dimensioning according to the maximum heat requirement of the object (heating circuit) and the max. thermal performance of the neoTower®	 A YANMAR COMPANY		Color coding: Flow Return Delivery neoTower®	Date: 08/2022
Buffer storage hydraulically decoupled connect according to the diagram			<div style="text-align: right;">A3</div>	



1	Circulating pump
2	Shutoff valve
3	Shutoff valve
4	Combination filter
5	Shutoff valve
6	Circulating pump
7	Circulating pump
8	Drain valve
9	Safety valve
10	Cap valve
11	Expansion vessel
12	Three way valve
13	Temperature sensor
14	Shutoff valve
15	Non return valve
16	Three way valve
17	Circulating pump
18	Temperature sensor
19	Heating circuit
20	Shutoff valve
21	Three way valve
22	Temperature sensor
23	Shutoff valve
24	Non return valve
25	Three way valve
26	Circulating pump
27	Temperature sensor
28	Heating circuit
29	Shutoff valve
30	Shutoff valve
31	Non return valve
32	Three way valve
33	Circulating pump
34	Temperature sensor
35	Heating circuit
36	Shutoff valve
37	Buffer storage
38	Heat pump

**Disclaimer of Liability:**  
 The application sketch must be checked for completeness and accuracy by the responsible engineer / installer before usage.  
 RMB / ENERGIE GmbH assumes no liability and warranty for the accuracy and completeness, except in cases of intent and gross negligence.  
 This scheme does not replace any technical planning of the systems. The relevant rules of technology and local regulations must be observed.

Water quality according to VDI 2035, please refer technical data sheet neoTower®	Address: Hauptstraße 543a 26683 Saterland	Created by: MB	This drawing is the property of RMB/ENERGIE GmbH. It may not be copied, forwarded, reproduced or in any other way, not be used for your purpose.	Title: Hydraulics of the neoTower® with peak load boiler and two heat pumps
RMB: The scope of delivery of the neoTower® includes all green edged parts including sensor set T1 to T5 (50.0 kW excl. Position 3, 4, 5, 6)	+49 4498 92288-0 info@rmbenergie.de	Approved by: JB		Hydraulic drawing 11
Pipe dimensioning according to the maximum heat requirement of the object (heating circuit) and the max. thermal performance of the neoTower®	 A YANMAR COMPANY		Color coding: Flow Return Delivery neoTower®	Date: 08/2022
Buffer storage hydraulically decoupled connect according to the diagram			<div style="text-align: right;">A3</div>	