

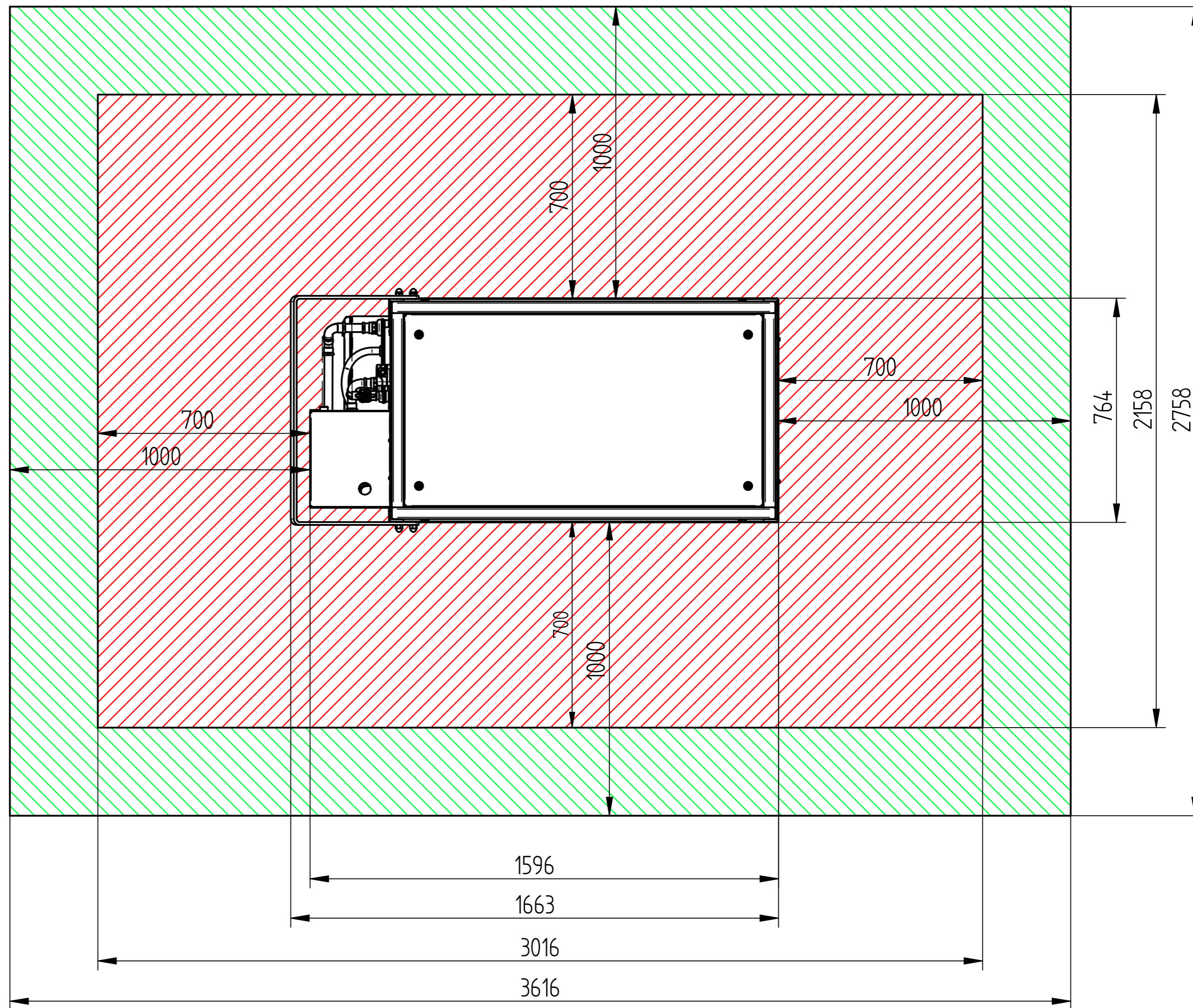
| Deutsch | | |
|----------|---------------------------|---------------|
| Position | Bezeichnung | Anschlussstyp |
| A | Abgas | DN80 |
| B | Rücklauf | 1" AG |
| C | Vorlauf | 1" AG |
| D | Erdgas | 1" AG |
| E | Abluft | DN150 |
| F | Schutzbügel (demonierbar) | |
| G | für MAG Anschlussgruppe | 3/4" AG |
| H | Kondensat | 3/4" AG |
| I | Zuluft | |

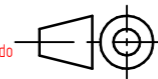
| English | | |
|----------|--|-----------------|
| position | designation | connection type |
| A | exhaust | DN80 |
| B | flow return | 1" AG |
| C | flow heating | 1" AG |
| D | natural gas | 1" AG |
| E | exhaust air | DN150 |
| F | transport protection (removeable) | |
| G | connection expansion tank, safety valve, filling valve | 3/4" AG |
| H | condensate | 3/4" AG |
| I | supply air | |

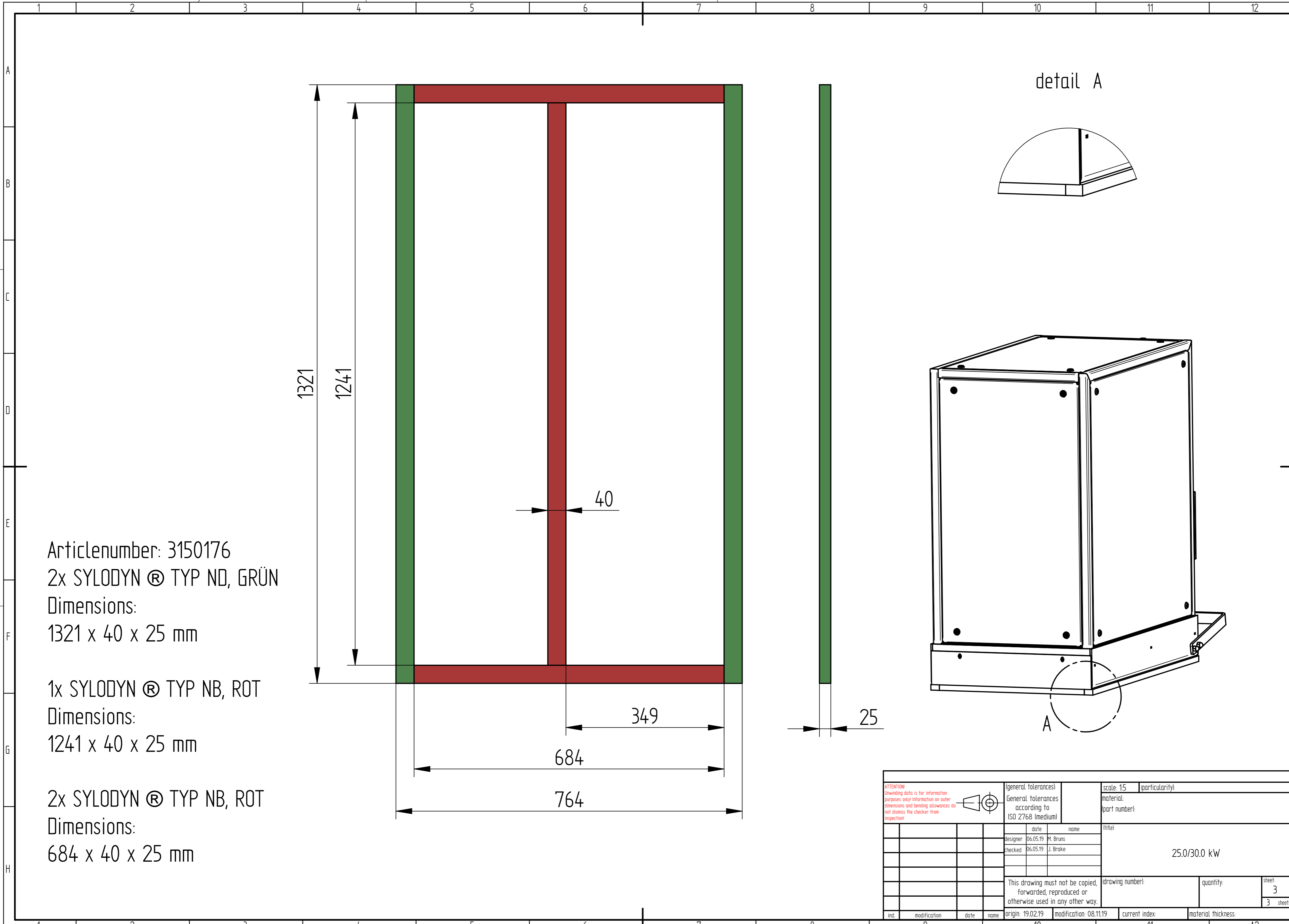
| | | | | | |
|--|--------------|--|---------|--|---------------|
| ATTENTION Drawing data is for information purpose only. Information on other dimensions and bending allowances do not belong to the checker from recipient. | | General tolerances: according to ISO 2768 (medium) | | Scale 1:10 particularity: part number: | |
| designer | 16.05.19 | M. Bruck | checked | 16.05.19 | J. Bruck |
| This drawing must not be copied, forwarded, reproduced or otherwise used in any other way. | | | | drawing number: | quantity: |
| ind. | modification | date | name | original | current index |
| | | 19.02.19 | | 08.11.19 | |
| | | | | material: | thickness: |
| | | | | 25.0/30.0 kW | sheet 1 of 3 |

Mindes Anforderung freier
Wartungsraum
(Minimum maintenance room)

Wartungsraum nach
Klärung & Herstellerfreigabe
(Maintenance room after
clarification and manufacturer
authorization)



| | | | | | | | | | | |
|--|--------------|---|----------|--------------------------------|--|------------------------|-------------------|------------------|---------------------|----------|
| <small>ATTENTION</small> <small>Unwinding data is for information purposes only! Information on outer dimensions and bending allowances do not dismiss the checker from inspection!</small> | |  | | General tolerances: | | scale: 1:12 | | (particularity): | | |
| | | | | according to ISO 2768 (medium) | | material: | | part number: | | |
| | | date | name | | title: | | | | | |
| | | 06.05.19 | M. Bruns | | 25.0/30.0 kW | | | | | |
| | | 06.05.19 | J. Brake | | | | | | | |
| | | | | | This drawing must not be copied, forwarded, reproduced or otherwise used in any other way. | | (drawing number): | | quantity: | sheet: 2 |
| | | | | | | | | | 3 | sheets |
| ind. | modification | date | name | | origin: 19.02.19 | modification: 08.11.19 | current index: | | material thickness: | |

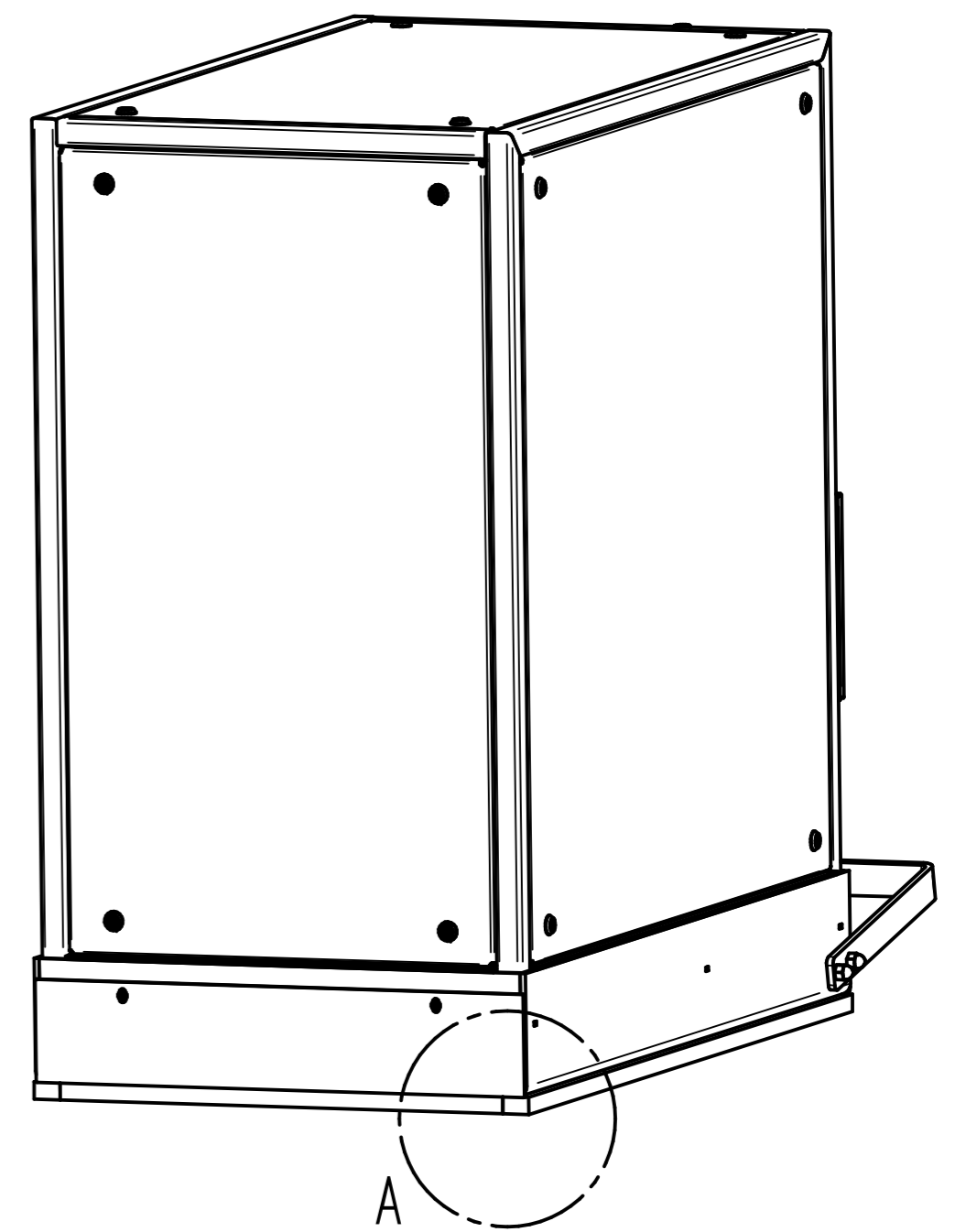
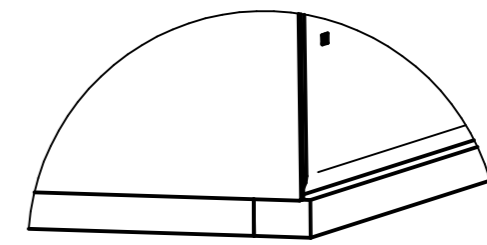


Articulenumber: 3150176
 2x SYLODYN ® TYP ND, GRÜN
 Dimensions:
 1321 x 40 x 25 mm

1x SYLODYN ® TYP NB, ROT
 Dimensions:
 1241 x 40 x 25 mm

2x SYLODYN ® TYP NB, ROT
 Dimensions:
 684 x 40 x 25 mm

detail A



| | | | | | |
|--|--------------|---|------------------------|--|---|
| <small>ATTENTION</small> Unwinding data is for information purposes only! Information on outer dimensions and bending allowances do not dismis the checker from inspection! | | | | General tolerances: according to ISO 2768 (medium) | scale: 1:5 (particularity): material: (part number): |
| | | designer: 06.05.19 M. Bruns checked: 06.05.19 J. Brake | title: 25.0/30.0 kW | | |
| This drawing must not be copied, forwarded, reproduced or otherwise used in any other way. | | (drawing number): | quantity: | sheet: 3 3 sheets | |
| ind. | modification | date | name | origin: 19.02.19 | modification: 08.11.19 current index: material thickness: |