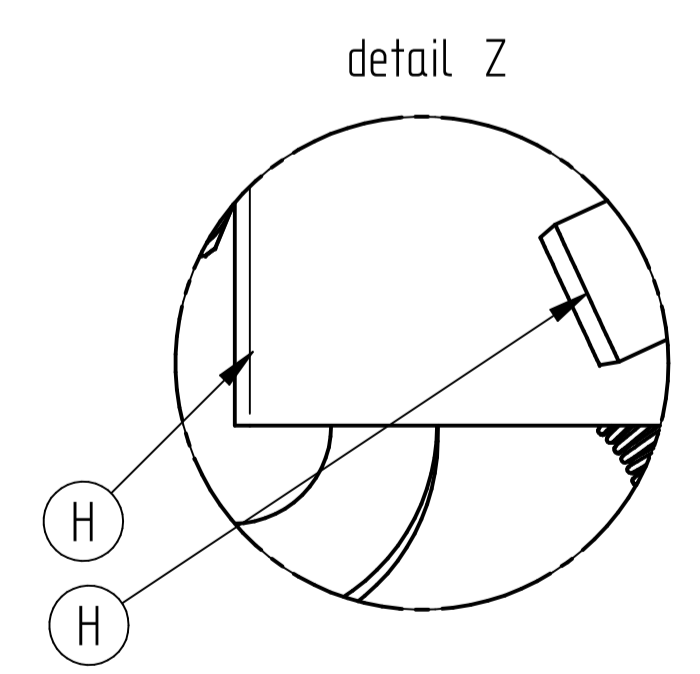


1:10



Deutsch

Position	Bezeichnung	Anschlussstyp
A	Abgas	DN80
B	Rücklauf	1" AG
C	Vortlauf	1" AG
D	Brenngas	1" AG
E	Abluft	DN160
F	Schutzbügel (demontierbar)	
G	MAG Anschlussgruppe	3/4" AG
H	Kondensat	3/4" AG
I	Zuluft	

English

position	designation	connection type
A	flue gas	DN80
B	flow return	1" AG
C	flow heating	1" AG
D	fuel gas	1" AG
E	exhaust air	DN160
F	transport protection (removeable)	
G	expansion vessel	3/4" AG
H	condensate	3/4" AG
I	supply air	

ATTENTION Drawing data is for information purpose only. Information on other dimensions and bending allowances do not bypass the checker from inspection.		Tolerances according	weight 1120,0 kg	scale 1:6	particularity
				title 25,0/30,0 kW (el)	
		This drawing must not be copied, forwarded, reproduced or otherwise used in any other way.		part number 3249402	row part number sheet 1 2 sheets
ind.	modification	date	name	origin	modification
					current index
					material, thickness

