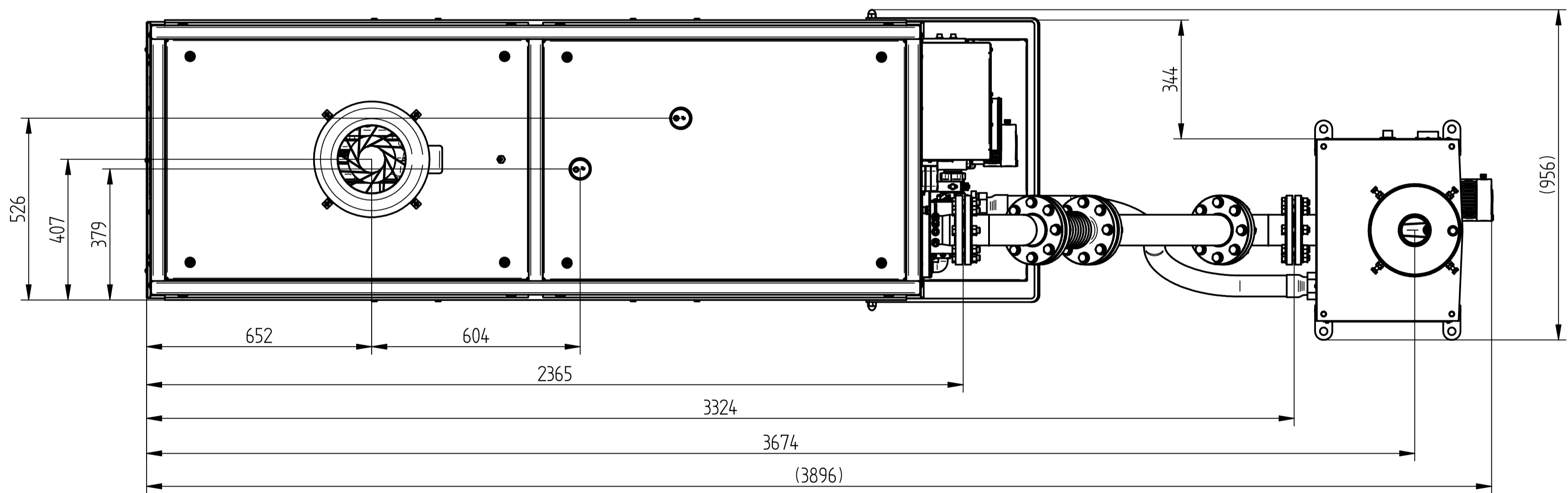
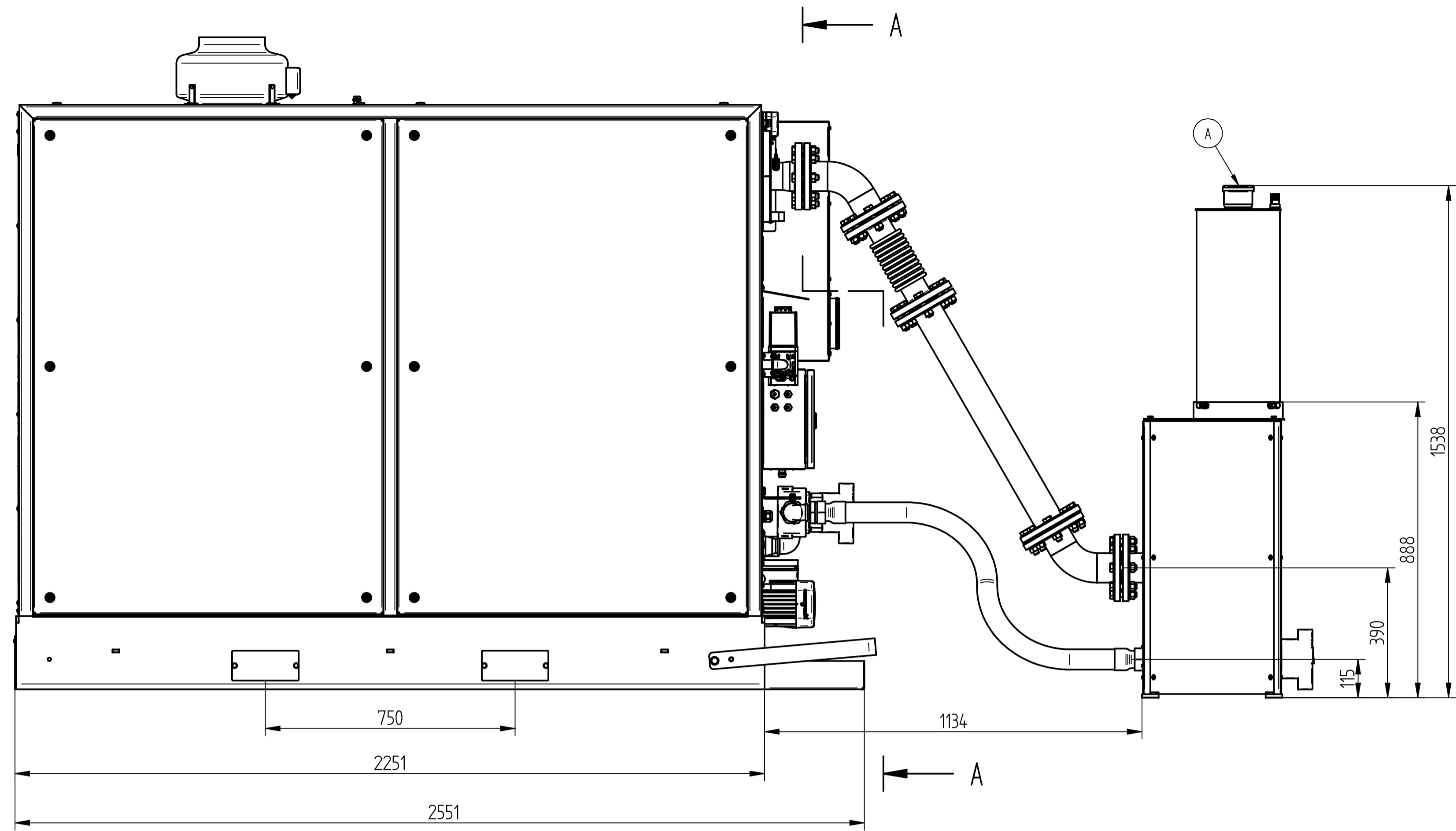
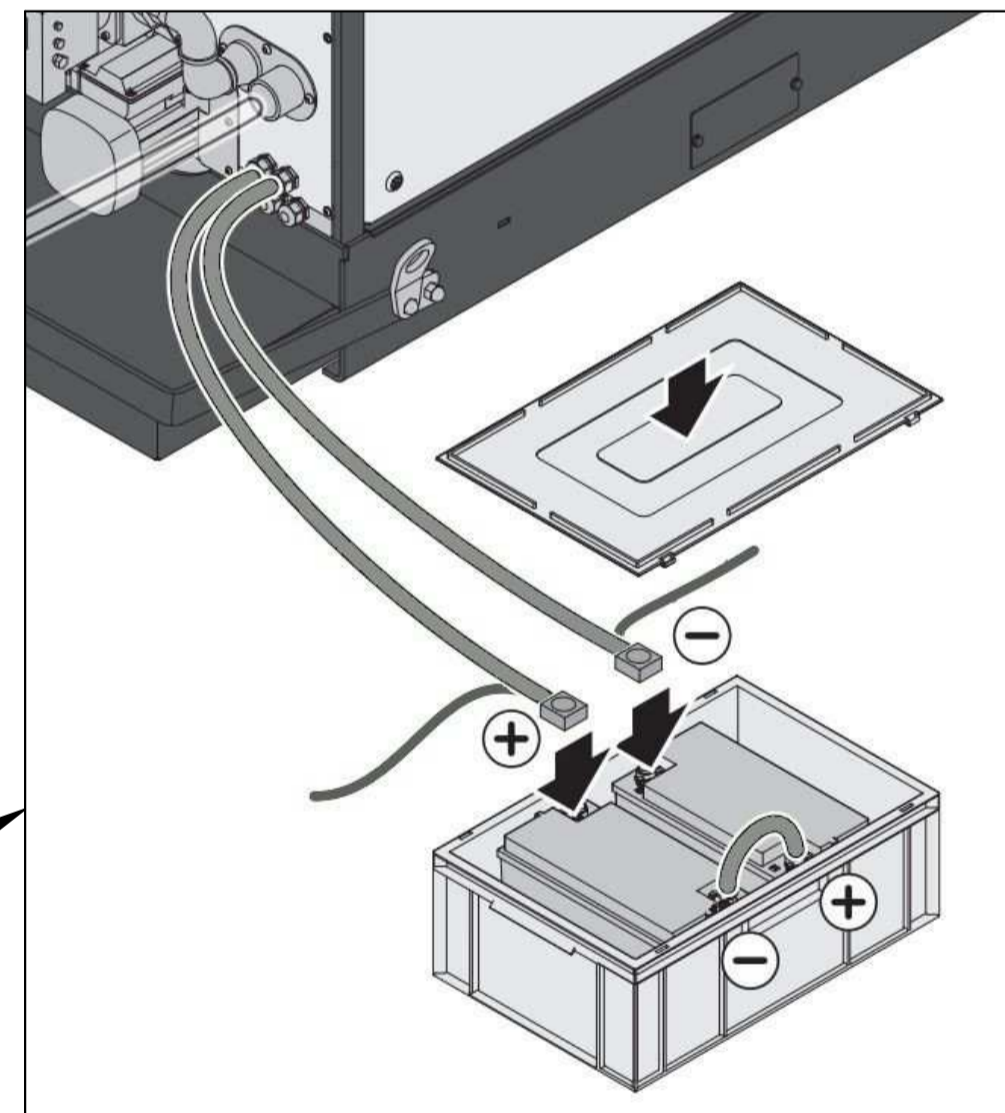
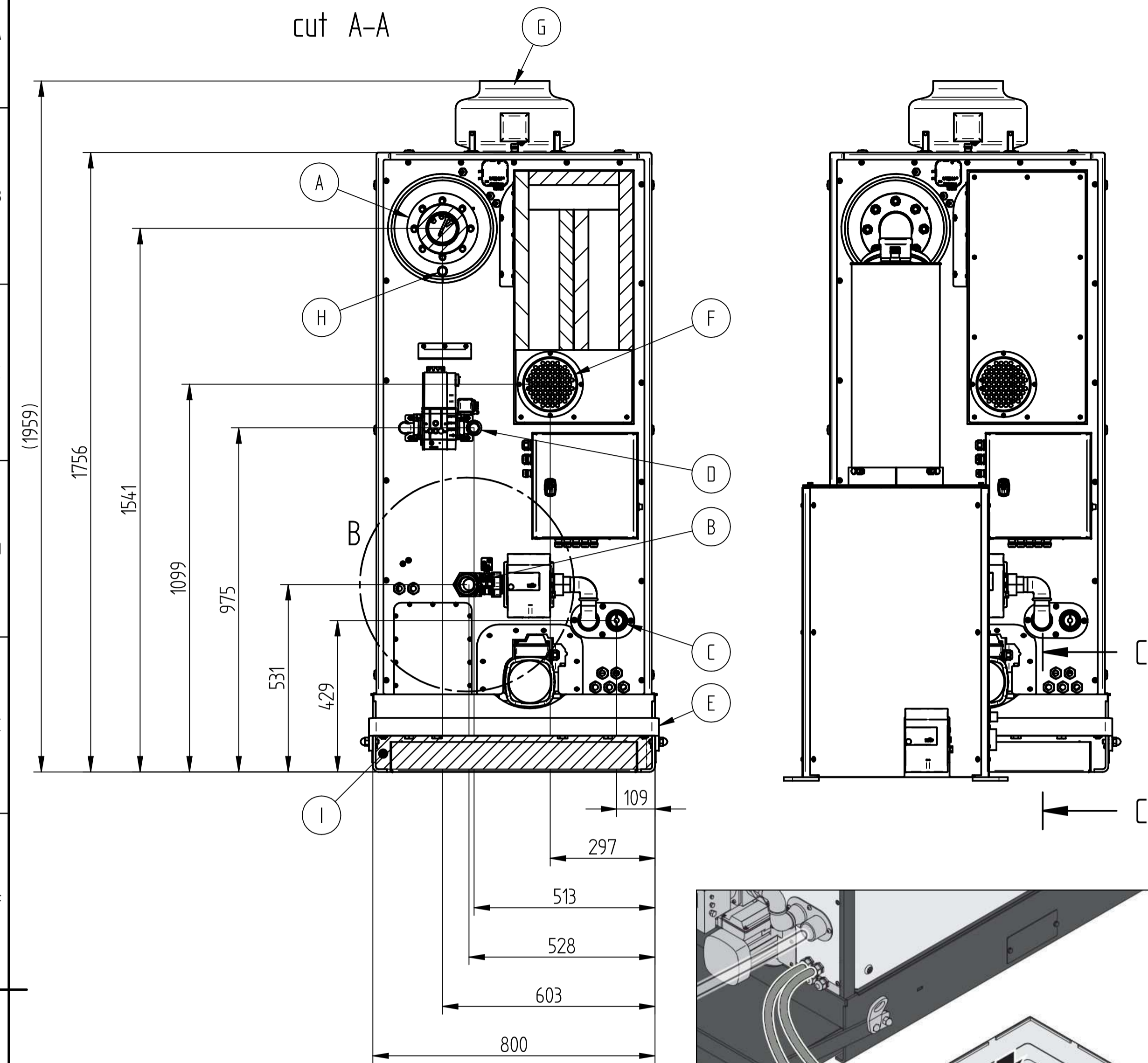


cut A-A

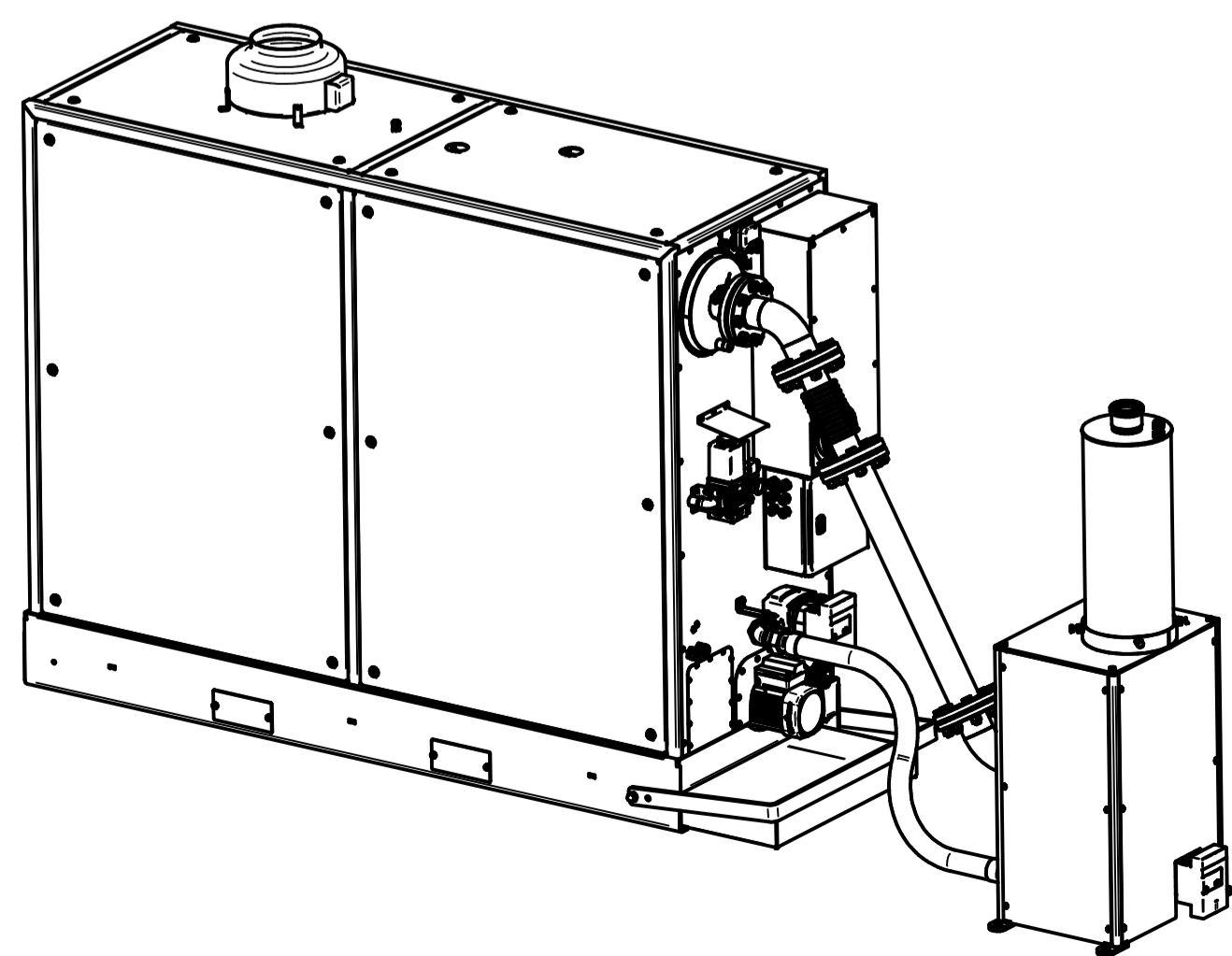


Deutsch

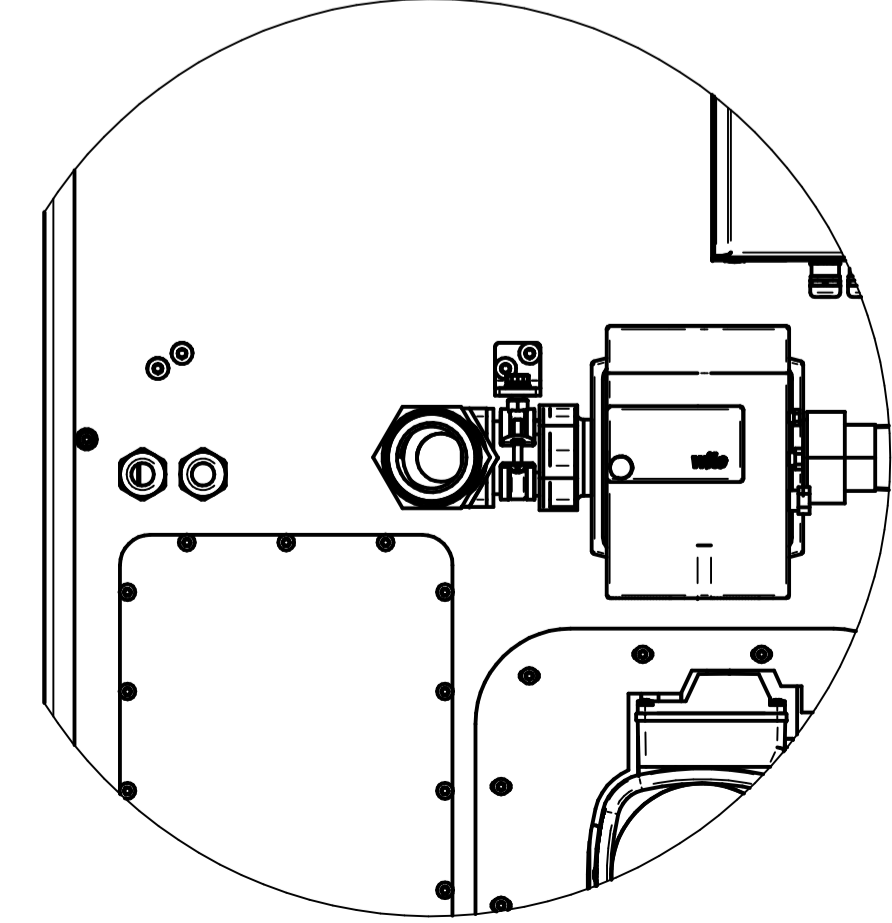
Position	Bezeichnung	Anschlussstyp
A	Abgas	DN80-PN10
B	Rücklauf	2" AG
C	Vorlauf	2" AG
D	Erdgas	1" IG
E	Schutzbügel (demontierbar)	
F	Verbrennungsluft	DN150
G	Abluft	DN200
H	Kondensat	3/4" AG
I	Zuluft	
J	Rücklauf Pufferspeicher	2" AG
K	Anschluss Batteriekasten	

English

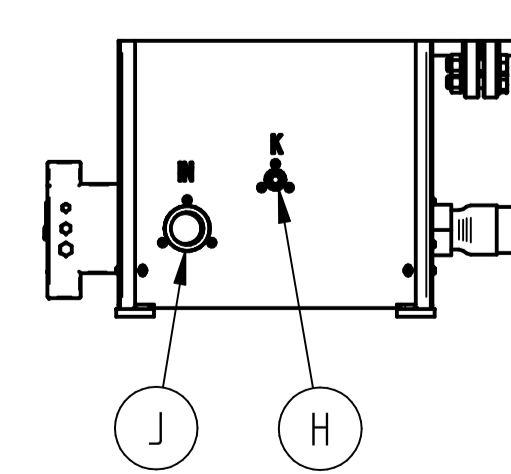
position	designation	connection typ
A	exhaust	DN80-PN10
B	flow return	2" AG
C	flow heating	2" AG
D	natural gas	1" IG
E	transport protection (removable)	
F	combustion air	DN150
G	exhaust air	DN200
H	condensate	3/4" AG
I	supply air	
J	flow return buffer tank	2" AG
K	connection battery box	



detail B



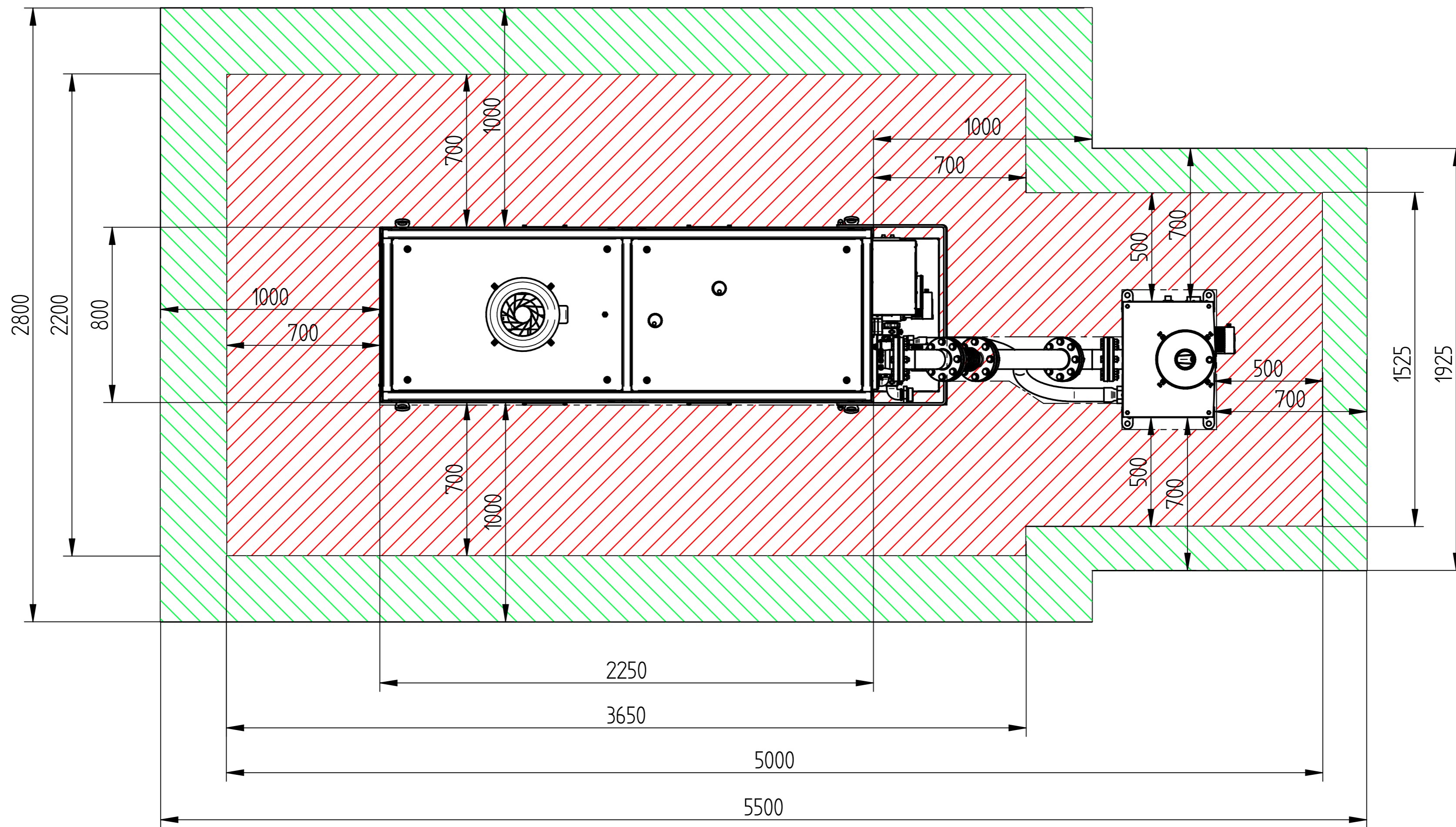
cut C-C



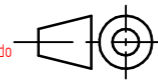
<p>ATTENTION Drawing data is for information purposes only. Information on other dimensions and bending allowances do not bind the checker from inspection.</p>		<p>General tolerances according to ISO 2768 (medium)</p>	<p>Scale 1:10 (particularity) Material: part number:</p>
designer	date	name	title
checked	06.05.19	M. Bruns	
	06.05.19	J. Brake	
<p>This drawing must not be copied, forwarded, reproduced or otherwise used in any other way.</p>			<p>50.0 kW (BW)</p>
ind.	modification	date	name
	28.03.19		
<p>orig: 28.03.19</p>		<p>modification: 17.10.19</p>	<p>current index: material: thickness:</p>
<p>drawing number:</p>		<p>quantity: piece</p>	<p>sheet: 1 3 sheets</p>


 Mindestanforderung freier Wartungsraum
 (Minimum maintenance room)


 Wartungsraum nach Klärung und Herstellerfreigabe
 (Maintenance room after clarification and manufacturer authorization)



Die Raumhöhe ab Aufstellfläche beträgt min. 2400mm.
 Bei Unterschreitung ist eine Rücksprache mit dem
 Hersteller zwingend erforderlich!
 (The room height from the installation surface is at least
 2400mm. Below the limit is a consultation with the
 manufacturer mandatory necessary)

<small>ATTENTION</small> <small>Unwinding data is for information purposes only! Information on outer dimensions and bending allowances do not disburse the checker from inspection!</small>				General tolerances: General tolerances according to ISO 2768 (medium)	scale: 1:15 (particularity): material: (part number):
				date name designer: 06.05.19 M. Bruns checked: 06.05.19 J. Brake	title: 50.0 kW (BW)
This drawing must not be copied, forwarded, reproduced or otherwise used in any other way.				(drawing number):	quantity: piece
ind.	modification	date	name	origin: 28.03.19	modification: 17.10.19 current index: material thickness:
					sheet: 2 3 sheets

