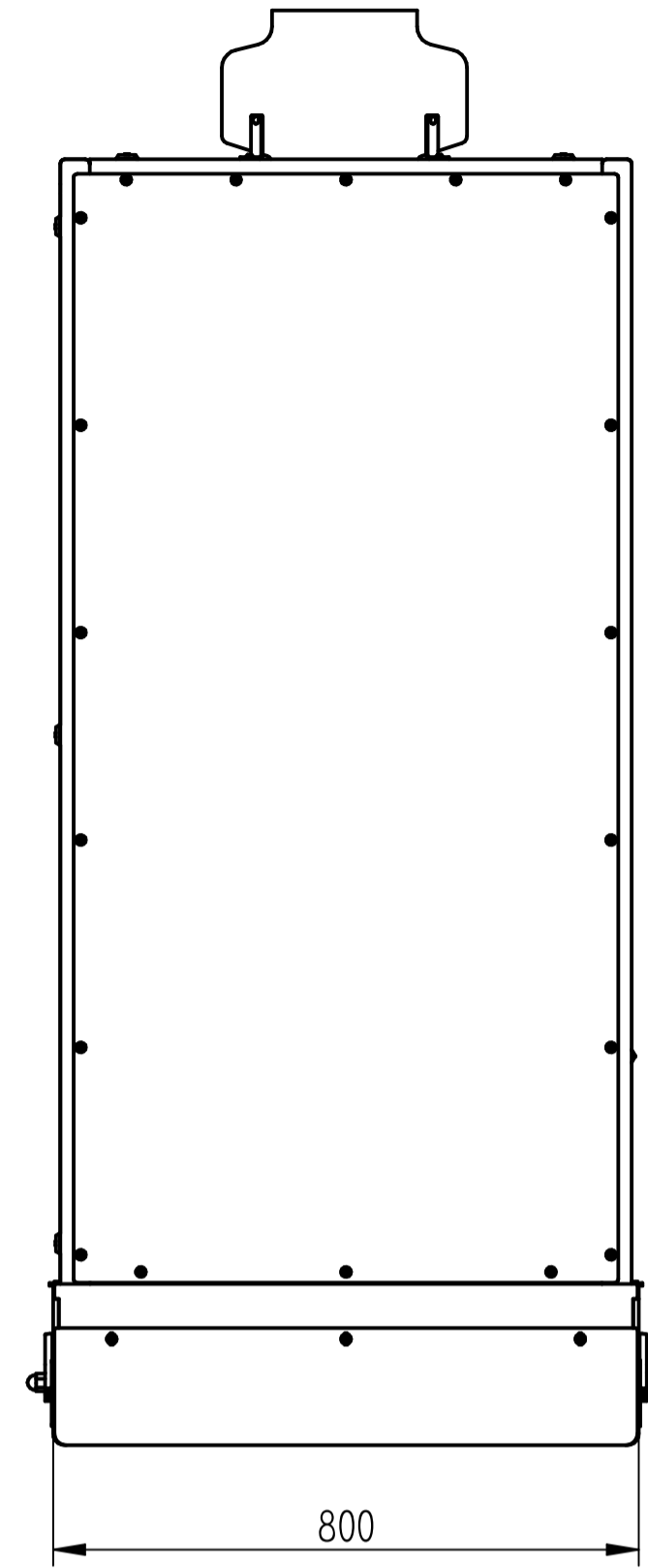
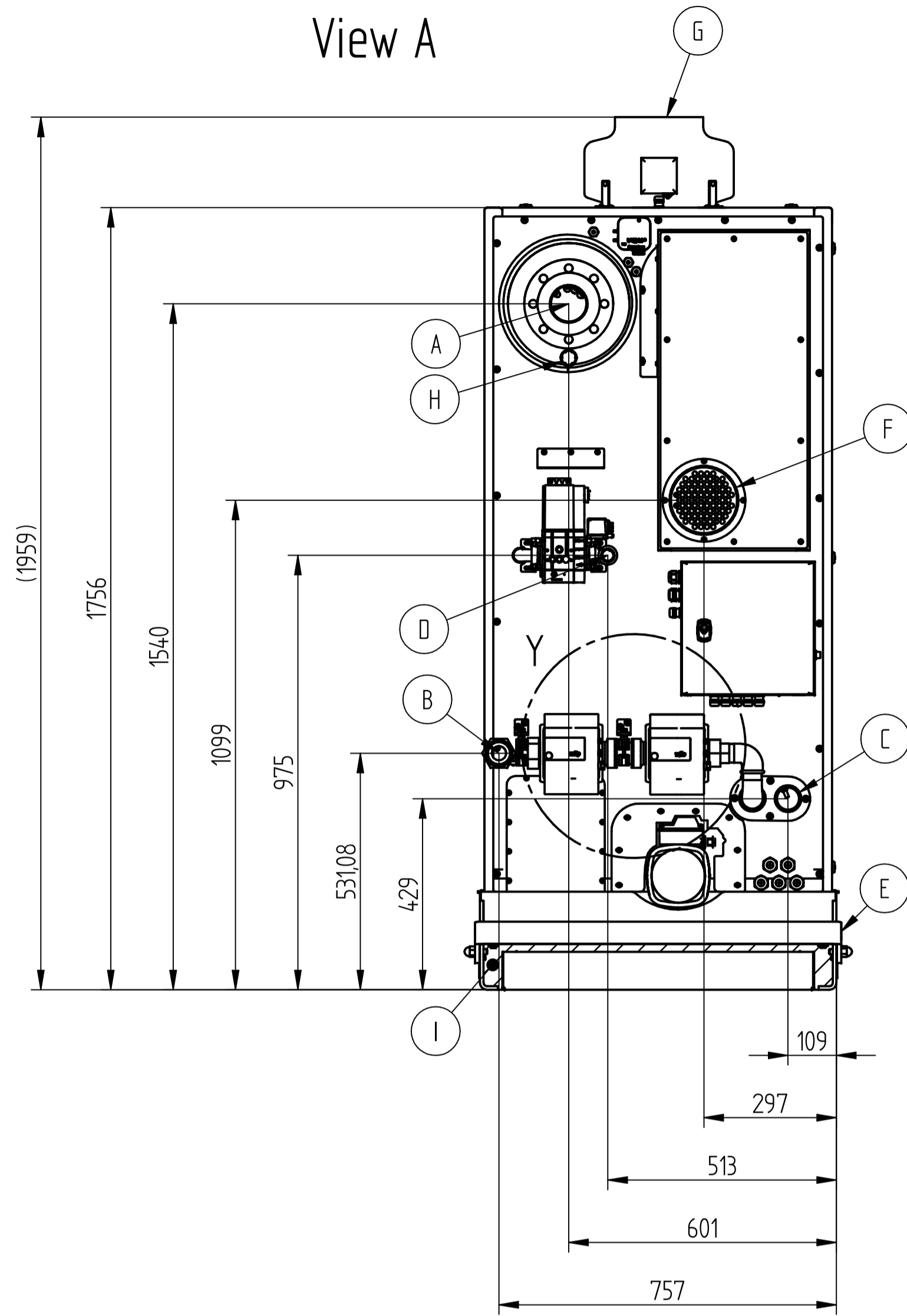
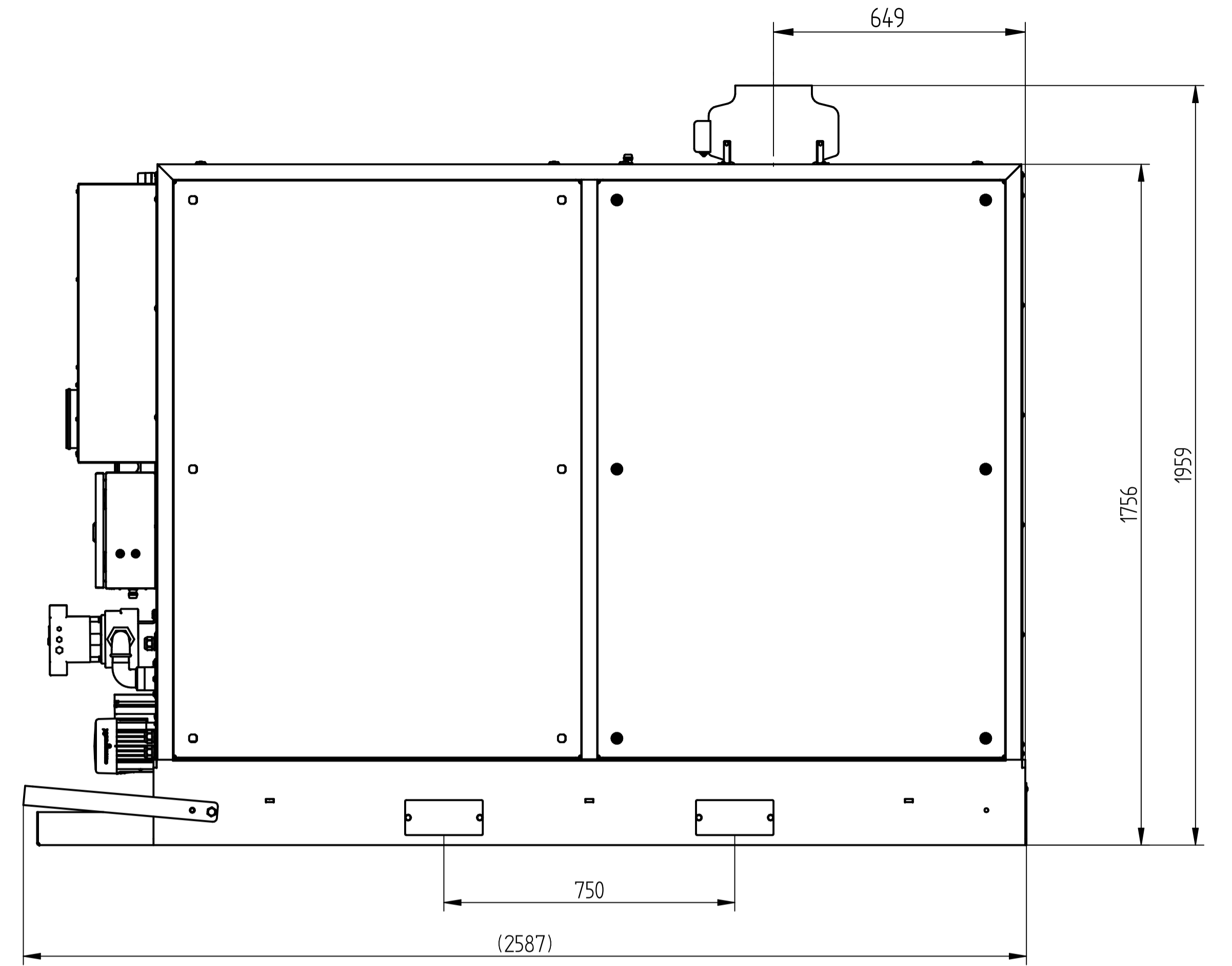


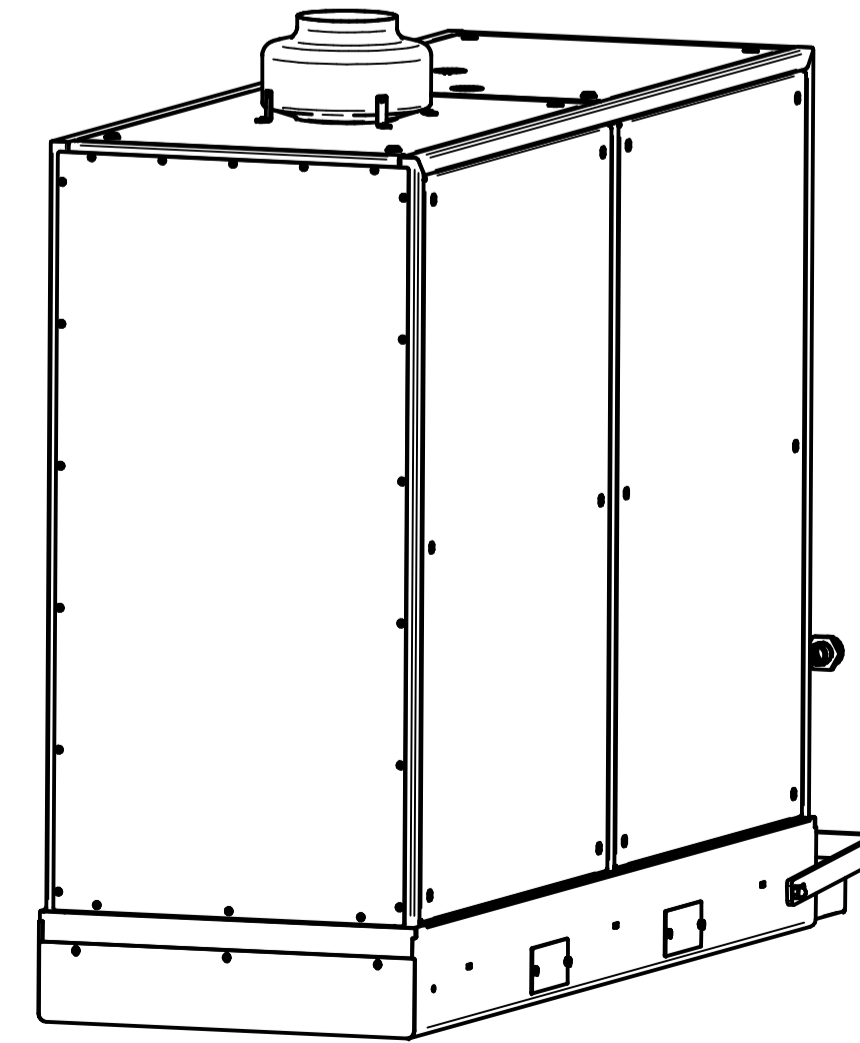
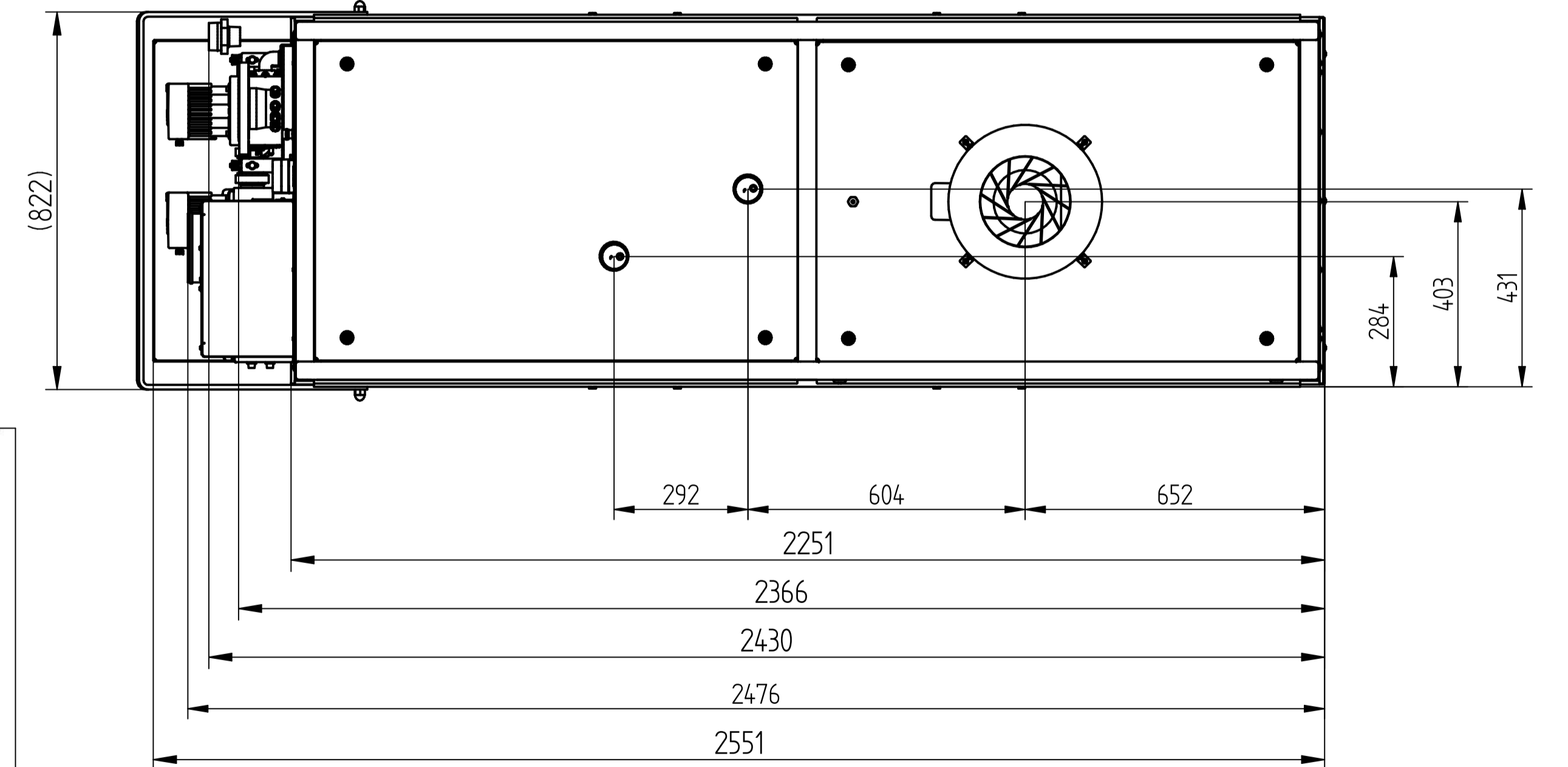
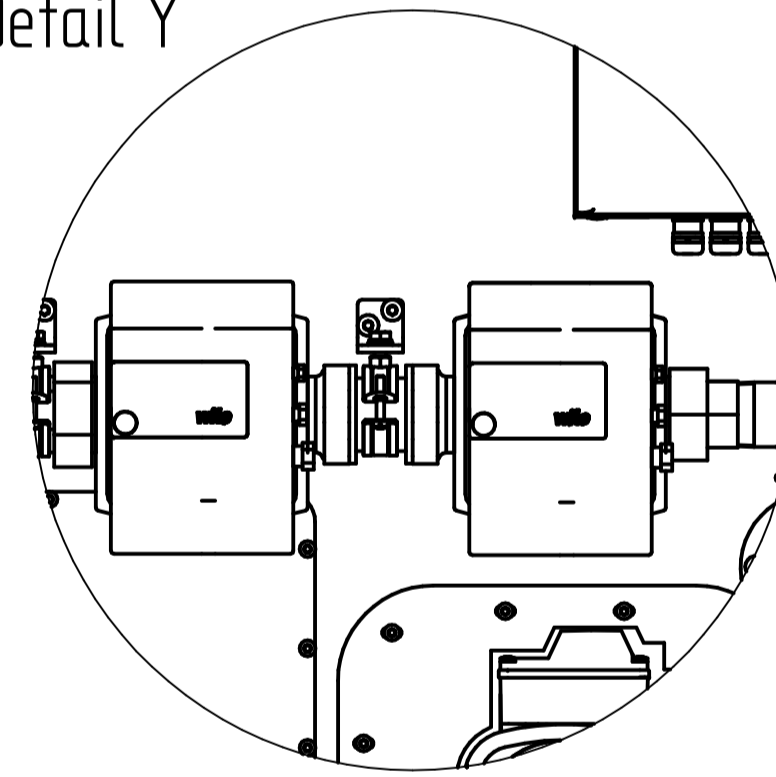
View A



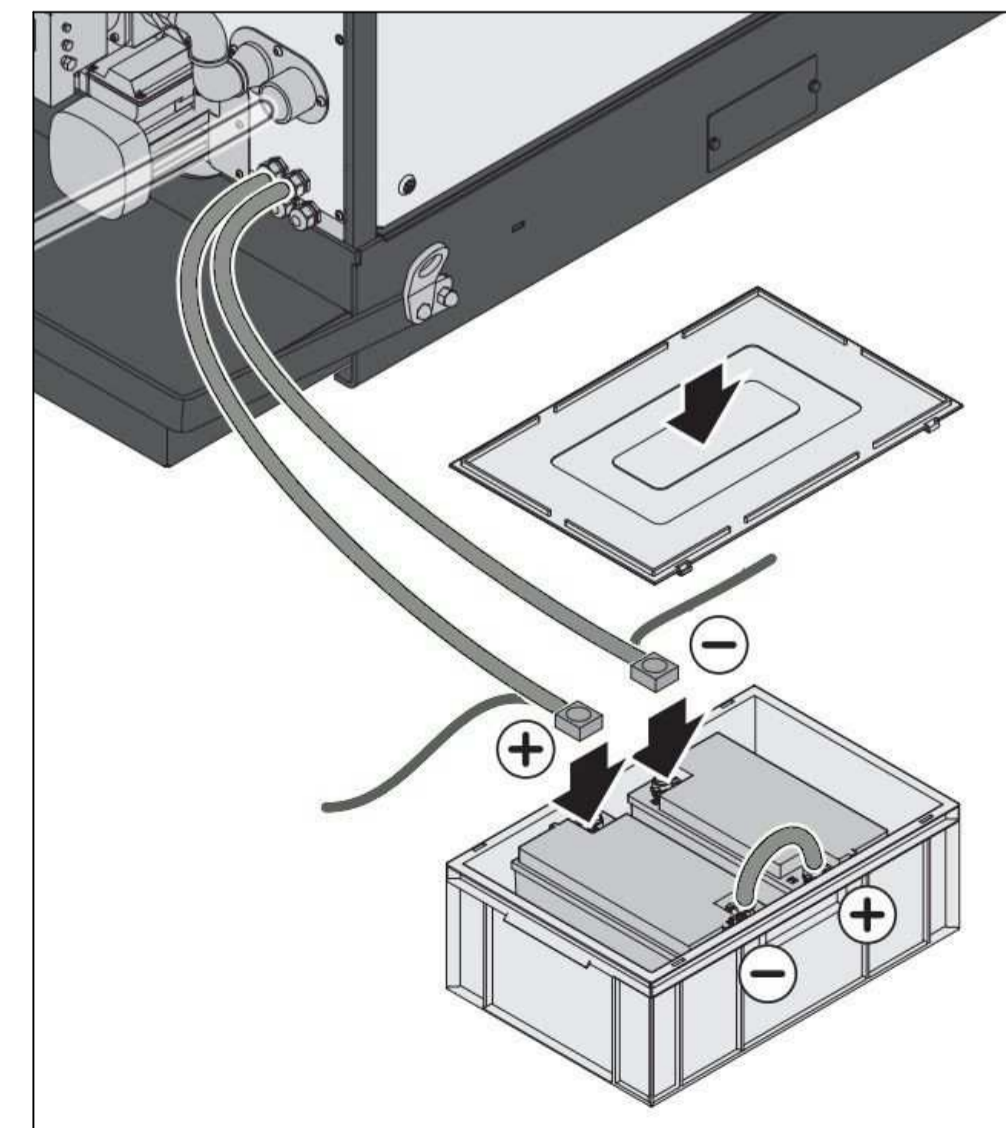
A →



Detail Y



1:15



J

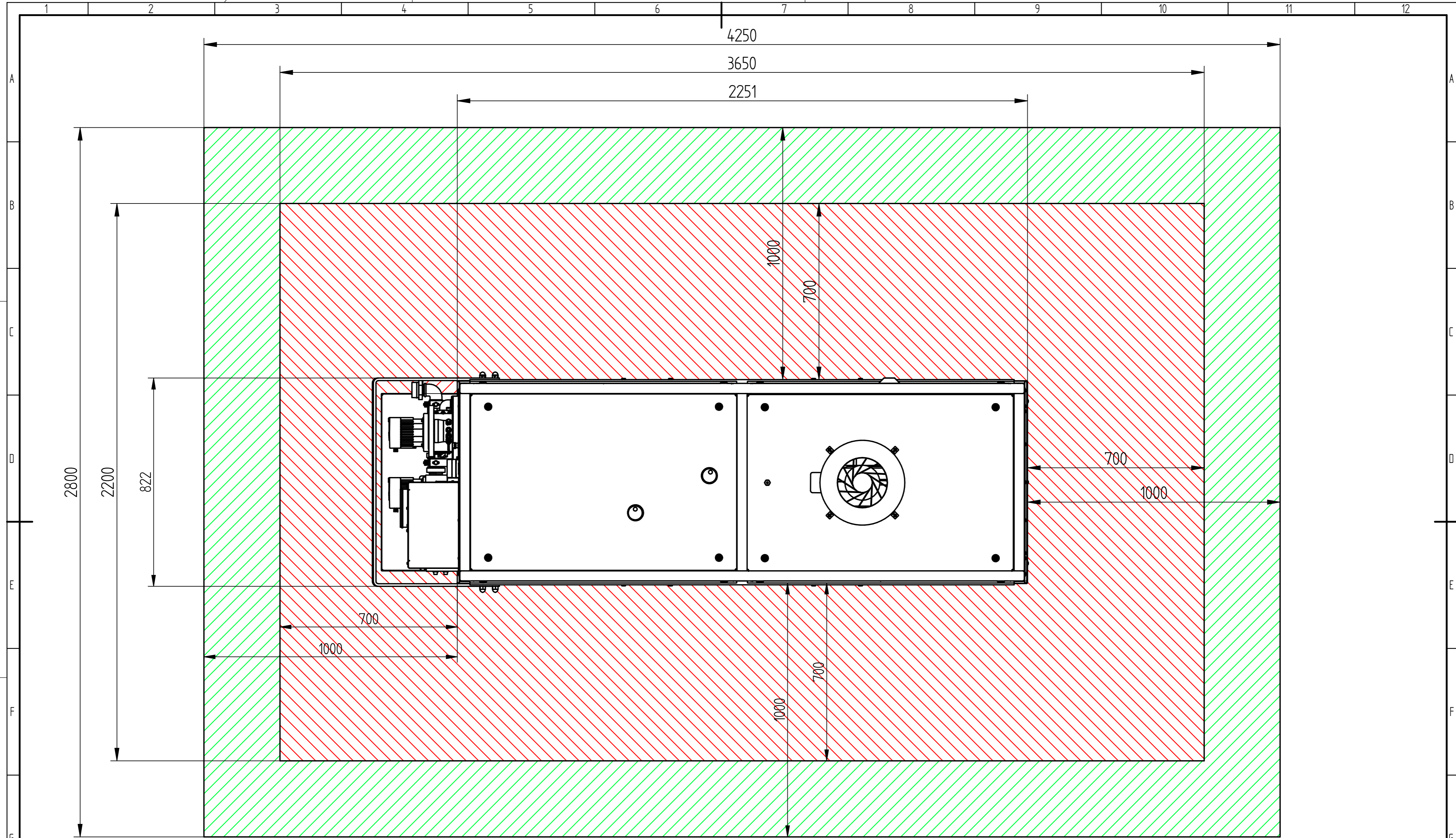
Deutsch

Position	Bezeichnung	Anschlussstyp
A	Abgas	DN80-PN10
B	Rücklauf	2" AG
C	Vorlauf	2" AG
D	Erdgas	1" IG
E	Schutzbügel (demontierbar)	
F	Verbrennungsluft	DN150
G	Abluft	DN200
H	Kondensat	3/4" AG
I	Zuluft	
J	Anschluss Batteriekasten	

English

position	designation	connection typ
A	exhaust	DN80-PN10
B	flow return	2" AG
C	flow heating	2" AG
D	natural gas	1" IG
E	transport protection (removable)	
F	combustion air	DN150
G	exhaust air	DN200
H	condensate	3/4" AG
I	supply air	
J	connection battery box	

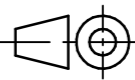
ATTENTION Drawing data is for information purpose only. Information on author, dimensions and bending allowances do not displace the checker from responsibility.		Tolerances according to ISO 2768 (medium)		Scale 1:10 particularity: material:	
designer	date	name	title	50.0 kW IS/Hi	
checked	08.11.19	Jens Brake			
norm					
This drawing must not be copied, forwarded, reproduced or otherwise used in any other way.				part number:	sheet 1
ind.	modification	date	name	orig: 13.11.17	modification: 08.11.19
				current index: d	material: thickness

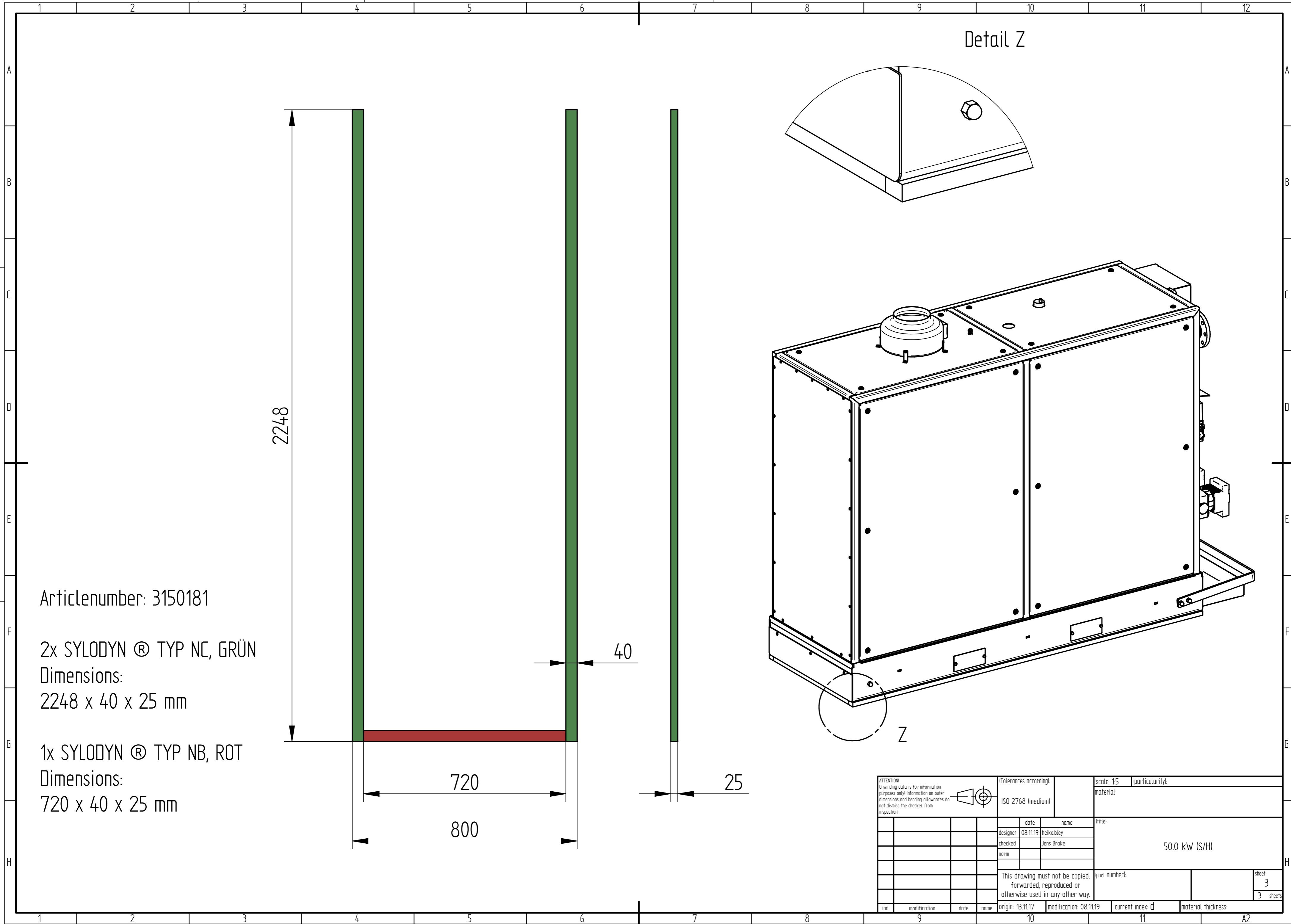


Die Raumhöhe ab Aufstellfläche beträgt min. 2400mm.
 Bei Unterschreitung ist eine Rücksprache mit dem
 Hersteller zwingend erforderlich!
 (The room height from the installation surface is at least
 2400mm. Below the limit is a consultation with
 the manufacturer mandatory necessary)

Mindestanforderung freier Wartungsraum
 (Minimum maintenance room)

Wartungsraum nach Klärung und Herstellerfreigabe
 (Maintenance room after clarification and
 manufacturer authorization)


ATTENTION Unwinding data is for information purposes only! Information on outer dimensions and bending allowances do not dismiss the checker from inspection!				(Tolerances according): ISO 2768 (medium)	scale: 1:10	(particularity): material:	
designer:	date:	name:	title:	50.0 kW (S/H)			
checked:	08.11.19	heiko.bley					
norm:		Jens Brake					
This drawing must not be copied, forwarded, reproduced or otherwise used in any other way.				(part number):	sheet: 2	3 sheets	
ind.	modification	date	name	origin: 13.11.17	modification: 08.11.19	current index: d	material thickness:



Articlenumber: 3150181

2x SYLODYN ® TYP NC, GRÜN
 Dimensions:
 2248 x 40 x 25 mm

1x SYLODYN ® TYP NB, ROT
 Dimensions:
 720 x 40 x 25 mm

ATTENTION Unwinding data is for information purposes only! Information on outer dimensions and bending allowances do not dismiss the checker from inspection!				 (Tolerances according to ISO 2768 (medium))		scale: 1:5	(particularity):
				designer: 08.11.19 heiko.bley		material:	
				checked: Jens Brake		50.0 kW (S/H)	
				norm:			
				This drawing must not be copied, forwarded, reproduced or otherwise used in any other way.		(part number):	
				ind. modification date name		sheet: 3	
				origin: 13.11.17 modification: 08.11.19 current index: d		3 sheets	
				material thickness:		A2	