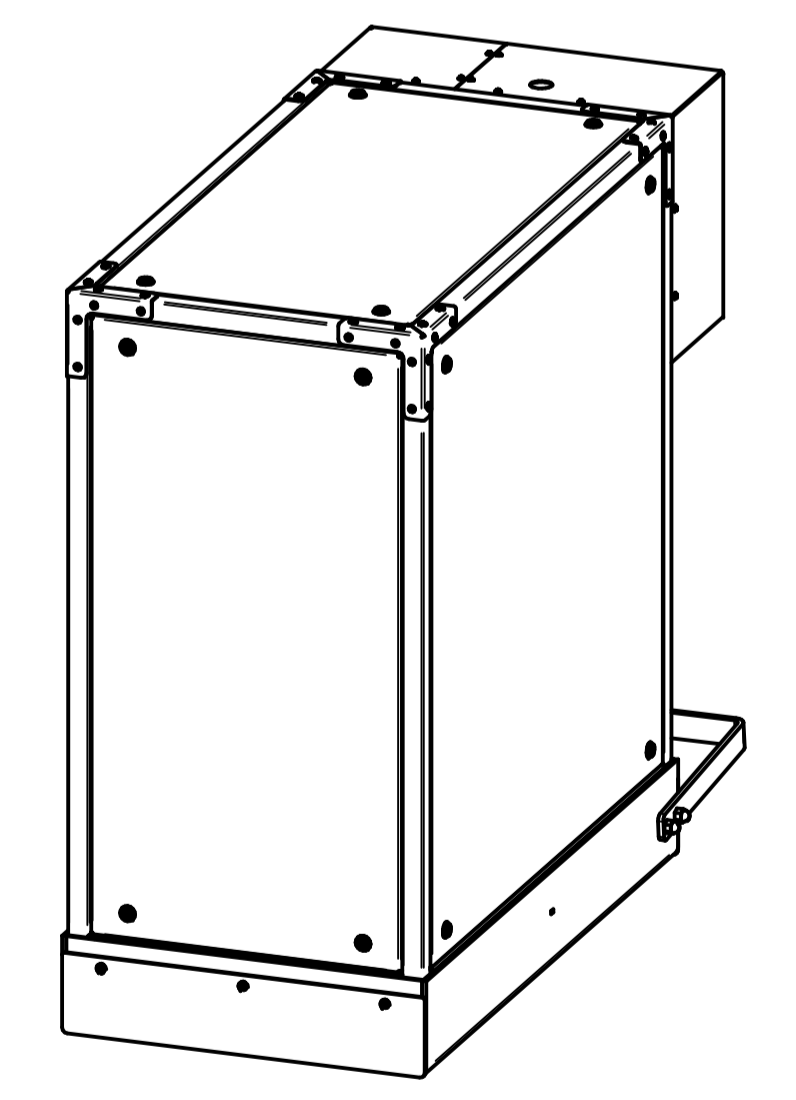
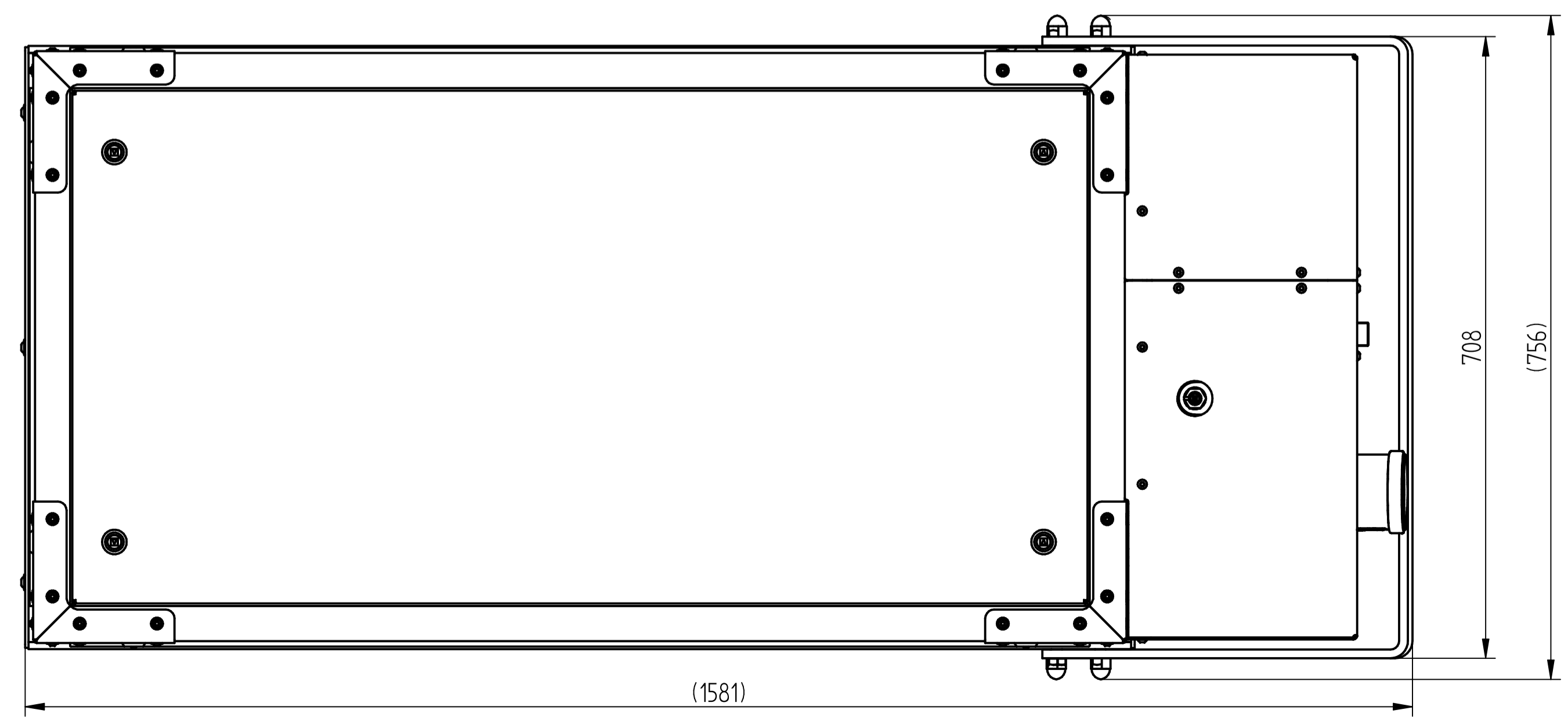
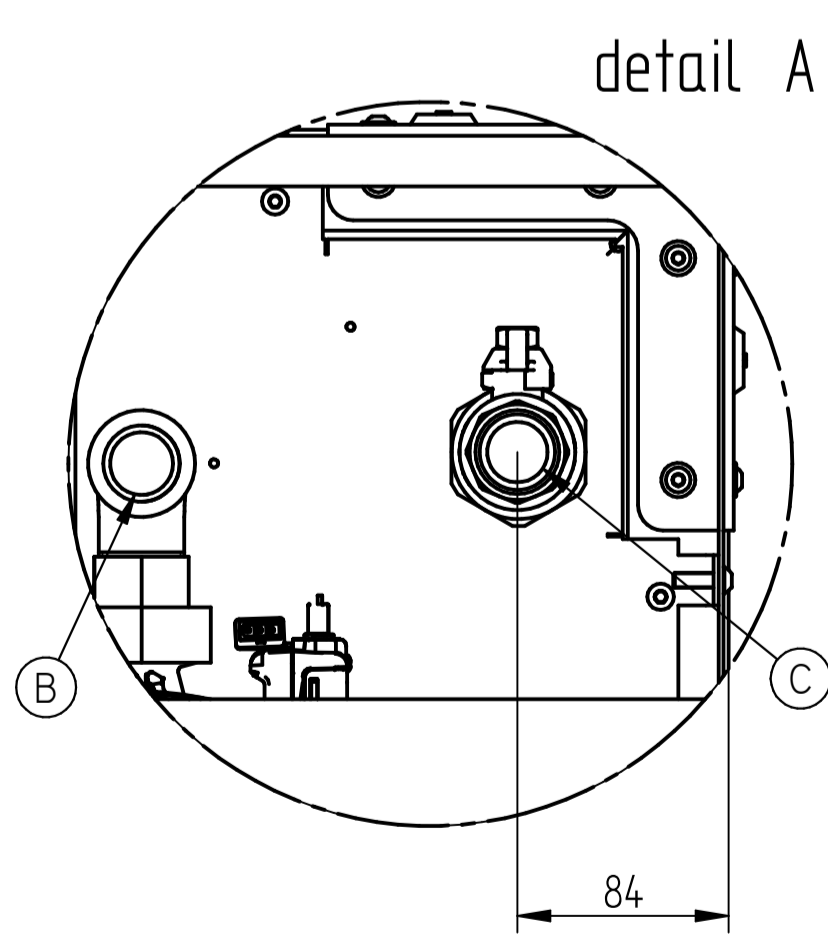
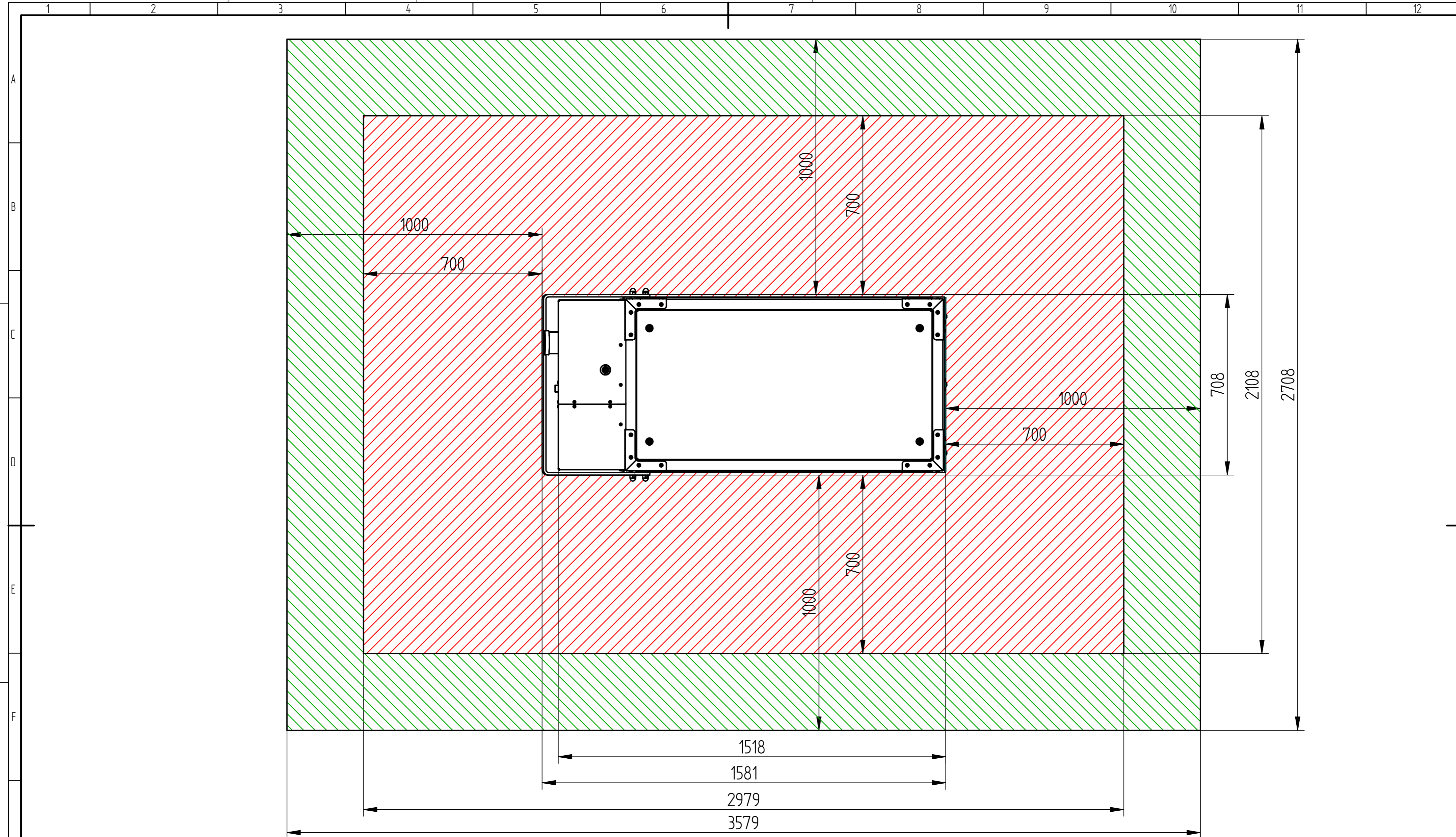


Deutsch		
Position	Bezeichnung	Anschlussstyp
A	Abgas	DN80
B	Rücklauf	1" AG
C	Vorlauf	1" AG
D	Erdgas	1/2" IG
E	Abluft	DN100
F	Schutzbügel (demonierbar)	
G	Kondensat	3/4" AG
H	Zuluft	

English		
position	designation	connection type
B	exhaust	DN80
A	flow return	1" AG
C	flow heating	1" AG
F	natural gas	1/2" IG
D	exhaust air	DN100
G	transport protection (removeable)	
E	condensate	3/4" AG
H	supply air	

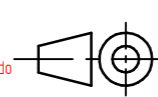


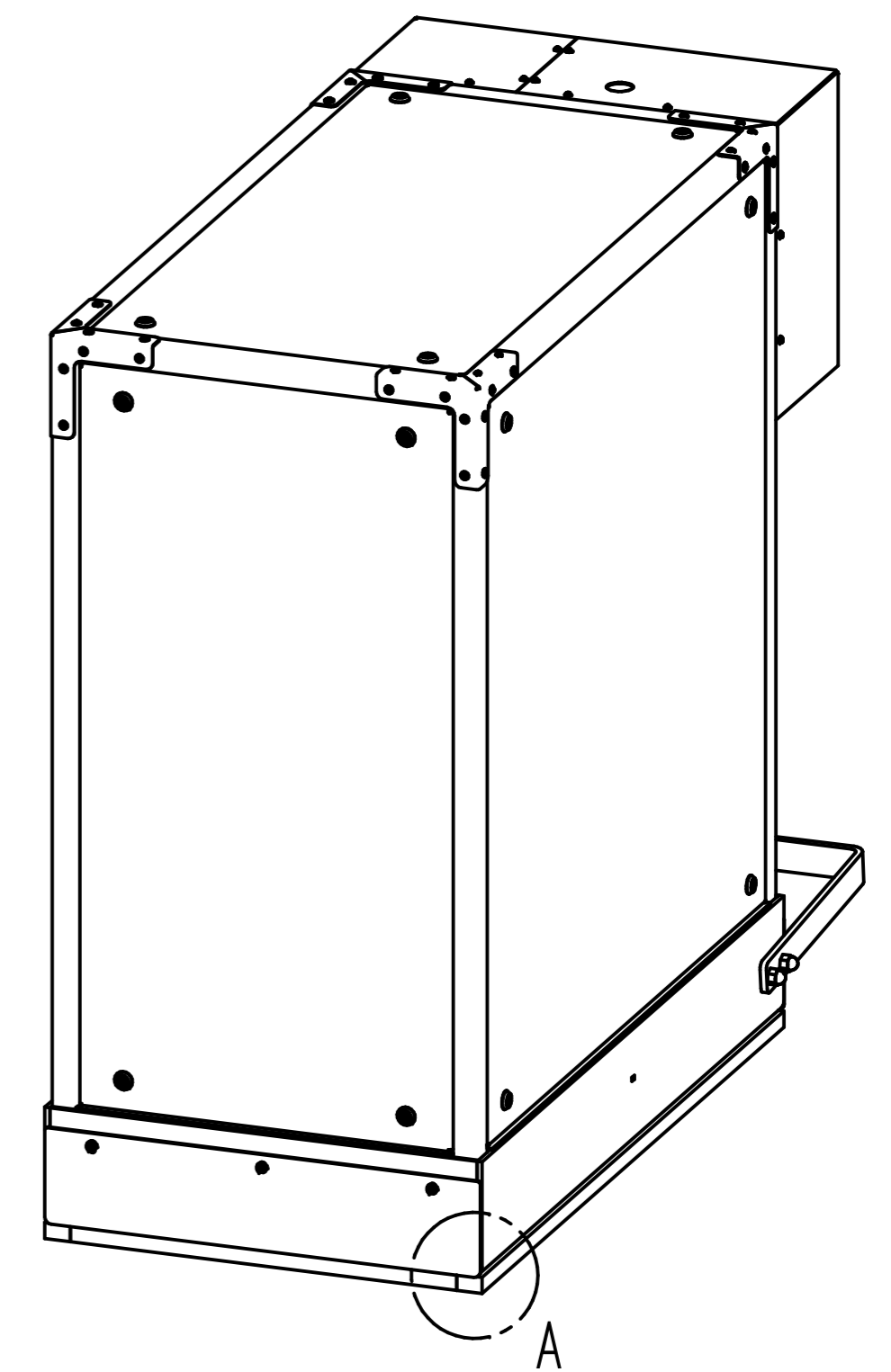
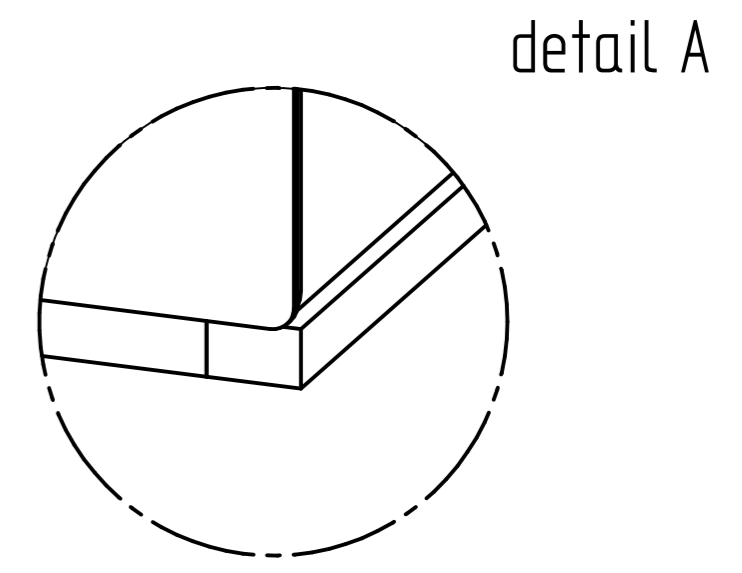
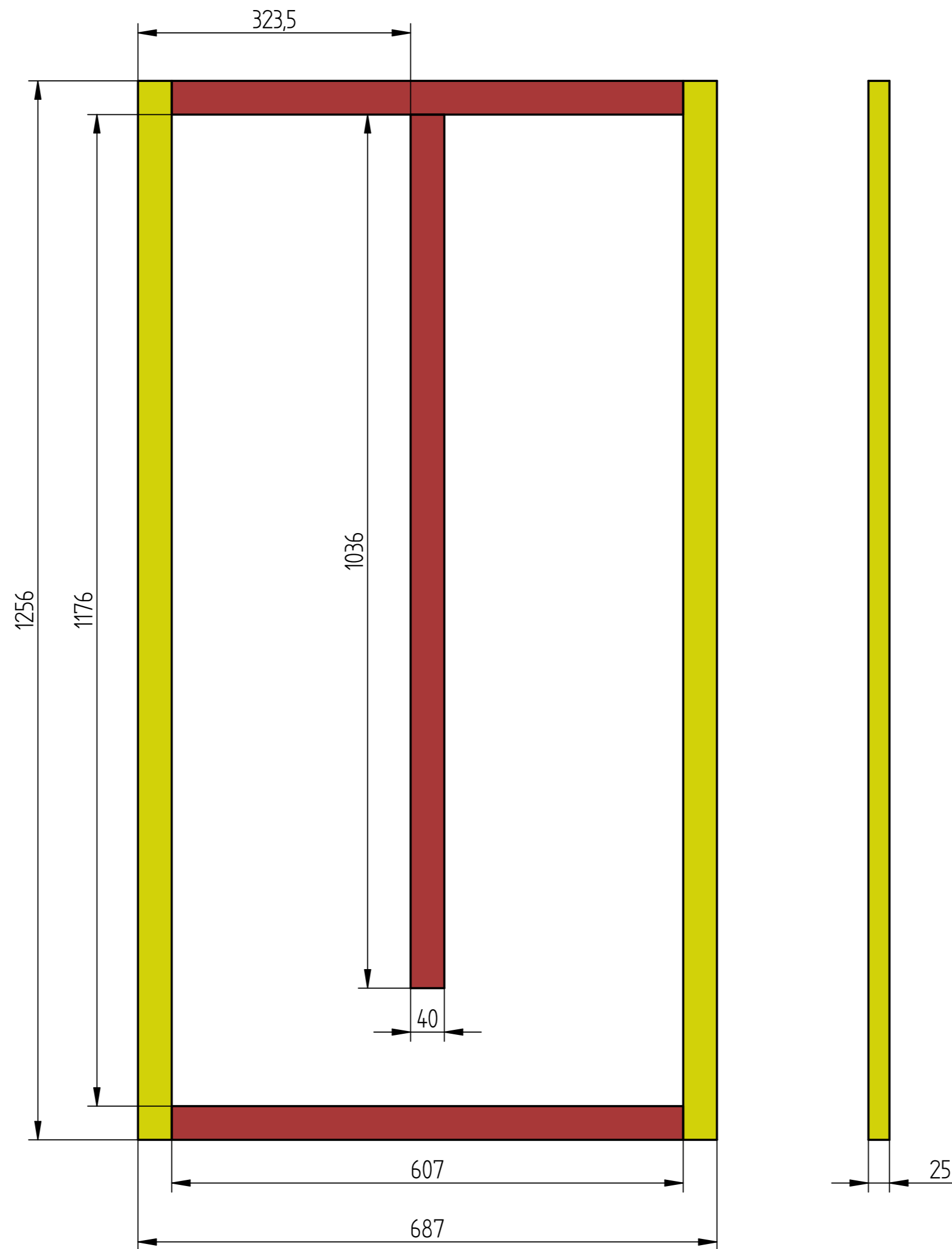
ATTENTION Drawing data is for information purpose only. Information on other dimensions and bending allowances do not belong to the checker from inspection		General tolerances according to ISO 2768 (medium)		scale: 1:5 (particularity)	
designer	date	name	title	material: part number:	
checked	08.11.19	S. Brinkmann		9.5/12.5 kW	
norm		J. Brake		drawing number:	
This drawing must not be copied, forwarded, reproduced or otherwise used in any other way.				quantity	sheet
				1 piece	1
ind.	modification	date	name	orig'n	modification
				08.07.19	08.11.19
				current index	material thickness



Mindestanforderung freier Wartungsraum
(Minimum maintenance room)

Wartungsraum nach Klärung und Herstellerfreigabe
(Maintenance room after clarification and
manufacturer authorization)

<small>ATTENTION</small> <small>Unwinding data is for information purposes only! Information on outer dimensions and bending allowances do not dismiss the checker from inspection!</small>				General tolerances: according to ISO 2768 (medium)	scale: 1:10 material: (particularity): (part number):
		designer: 08.11.19 S. Brinkmann checked: J. Brake norm:	name: title: 95/125 kW		
This drawing must not be copied, forwarded, reproduced or otherwise used in any other way.		(drawing number):	quantity: 1 piece	sheet: 2 3 sheets	
ind.	modification	date	name	origin: 08.07.19	modification: 08.11.19 current index: material thickness:



Articlenumber: 3150178

2x SYLODYN® TYP NC, GELB

Dimensions:
1256 x 40 x 25 mm

2x SYLODYN® TYP NB, ROT

Dimensions:
607 x 40 x 25 mm

1x SYLODYN® TYP NB, ROT

Dimensions:
1036 x 40 x 25 mm

<small>ATTENTION</small> Unwinding data is for information purposes only! Information on outer dimensions and bending allowances do not dismis the checker from inspection!				General tolerances: according to ISO 2768 (medium)	scale: 1:5 material: (particularity): (part number):
		designer: 08.11.19 S. Brinkmann checked: J. Brake norm:	title: 95/125 kW		
This drawing must not be copied, forwarded, reproduced or otherwise used in any other way.				(drawing number):	quantity: 1 piece
ind.	modification	date	name	origin: 08.07.19	modification: 08.11.19 current index: material thickness: