

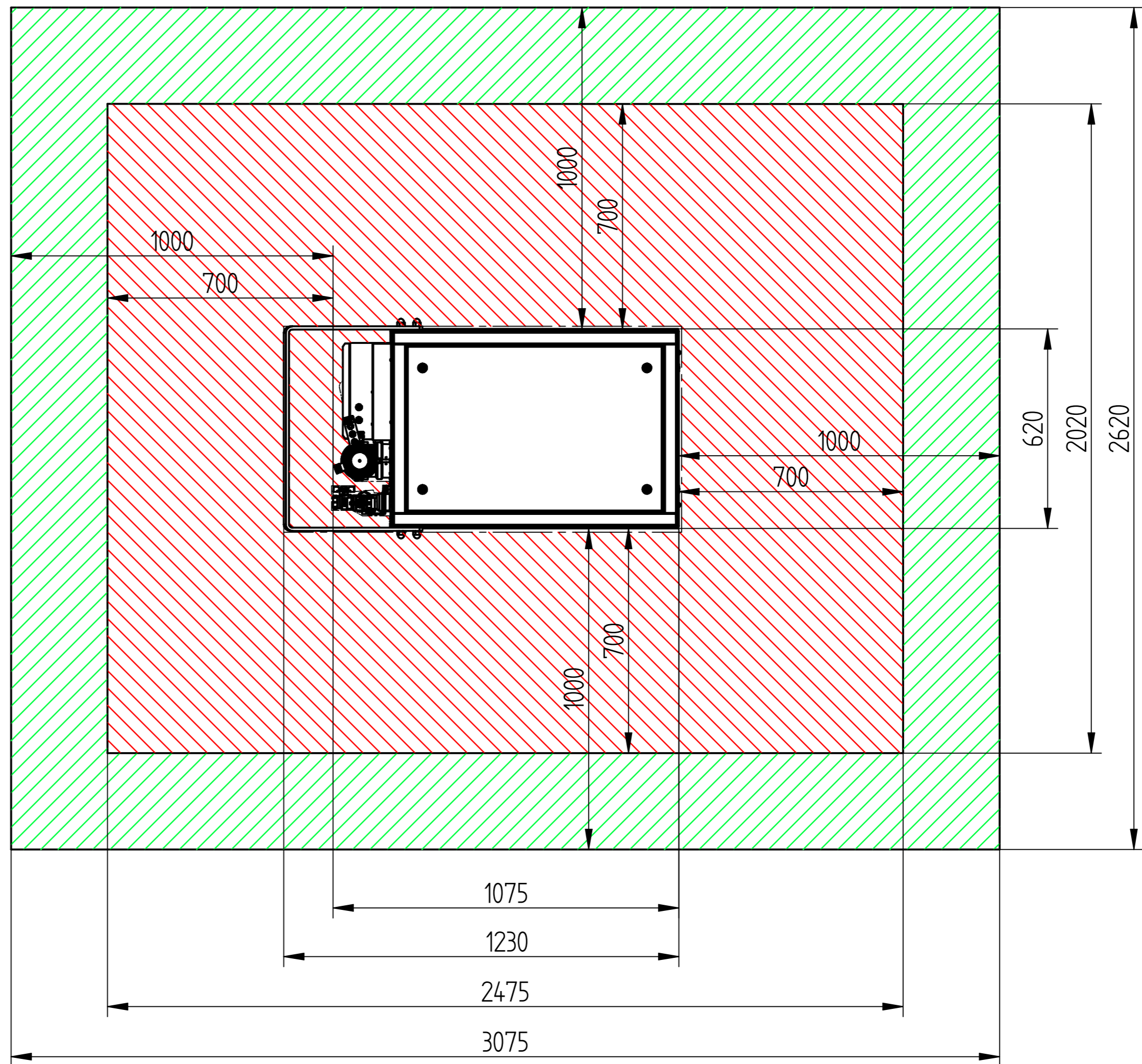
Deutsch		
Position	Bezeichnung	Anschlussstyp
A	Abgas & Abluft	DN80
B	Rücklauf	1" AG
C	Vorlauf	1" AG
D	Brennstoff	1/2" IG
E	Schutzbügel (demontierbar)	
F	Kondensat	3/4" AG
G	Zuluft	DN100

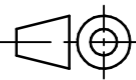
English		
position	designation	connection type
A	exhaust & exhaust air	DN80
B	flow return	1" AG
C	flow heating	1" AG
D	fuel gas	1/2" IG
E	transport protection (removable)	
F	condensate	3/4" AG
G	supply air	DN100

ATTENTION Drawing data is for information purpose only. Information on other dimensions and bending allowances do not belong to the checker from inspector.		Tolerances according to DIN ISO 2768-m		Scale 1:5 particularity: material:	
designer	date	name	title	2.0/3.3/4.0 kW	
checked	15.10.19	Michael Bruns			
norm		Jens Brake			
This drawing must not be copied, forwarded, reproduced or otherwise used in any other way.				part number:	sheet 1
ind.	modification	date	name	orig: 08.05.19	modification: 15.10.19
				current index:	material: thickness:

Mindestanforderung freier
Wartungsraum
(Minimum maintenance room)

Wartungsraum nach Klärung und
Herstellerfreigabe
(Maintenance room after
clarification and manufacturer
authorization)



<small>ATTENTION</small> Unwinding data is for information purposes only! Information on outer dimensions and bending allowances do not dismiss the checker from inspection!			(Tolerances according: DIN ISO 2768-m)		scale: 1:12	(particularity):	
					material:		
		date	name	title: 2.0/3.3/4.0 kW			
		designer: 15.10.19	Michael Bruns				
		checked: Jens Brake					
		norm:					
This drawing must not be copied, forwarded, reproduced or otherwise used in any other way.				(part number):	sheet: 2		
ind.	modification	date	name	origin: 08.05.19	modification: 15.10.19	current index:	material thickness:
						3 sheets	

1 2 3 4 5 6 7 8 9 10 11 12

A

B

C

D

E

F

G

H

A

B

C

D

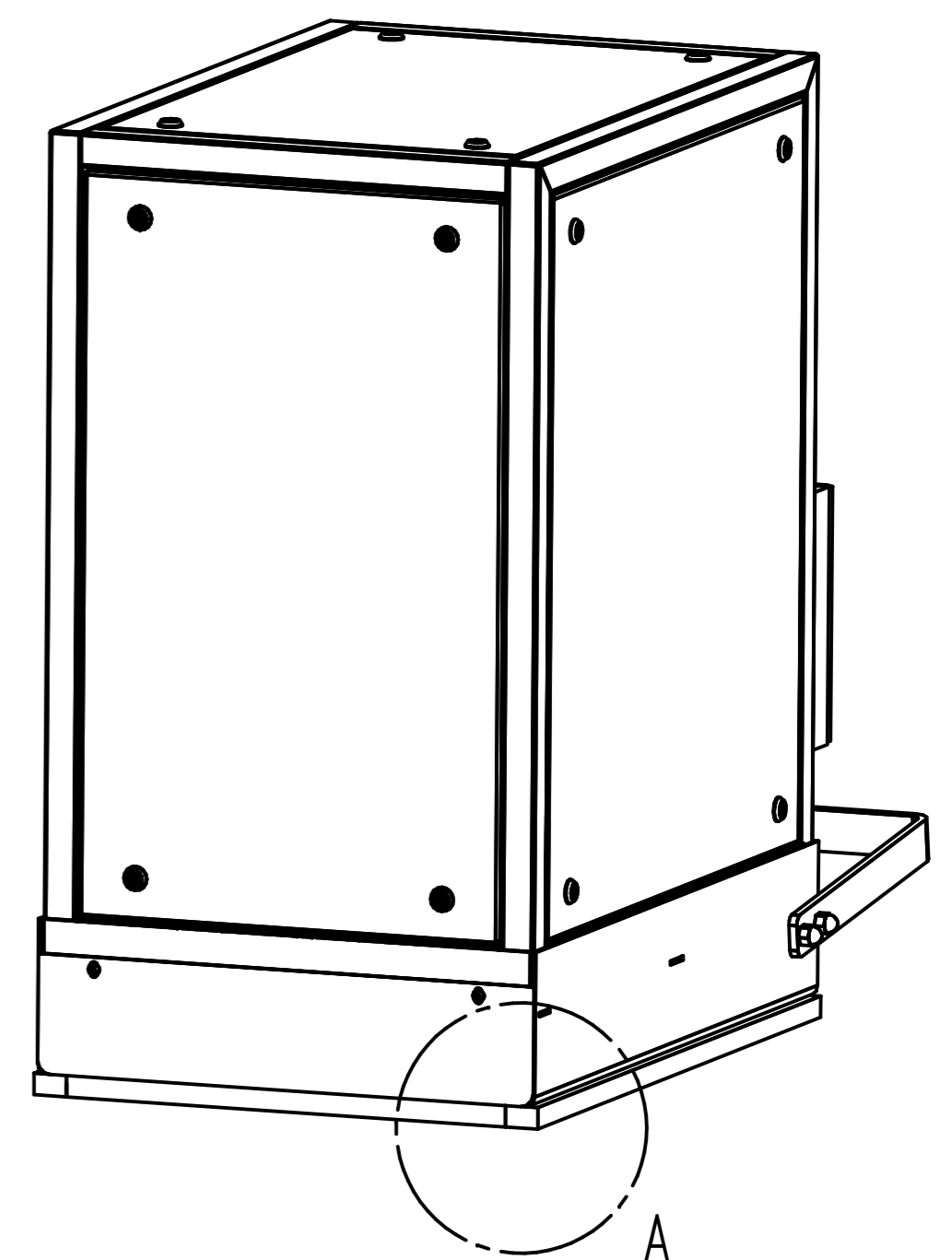
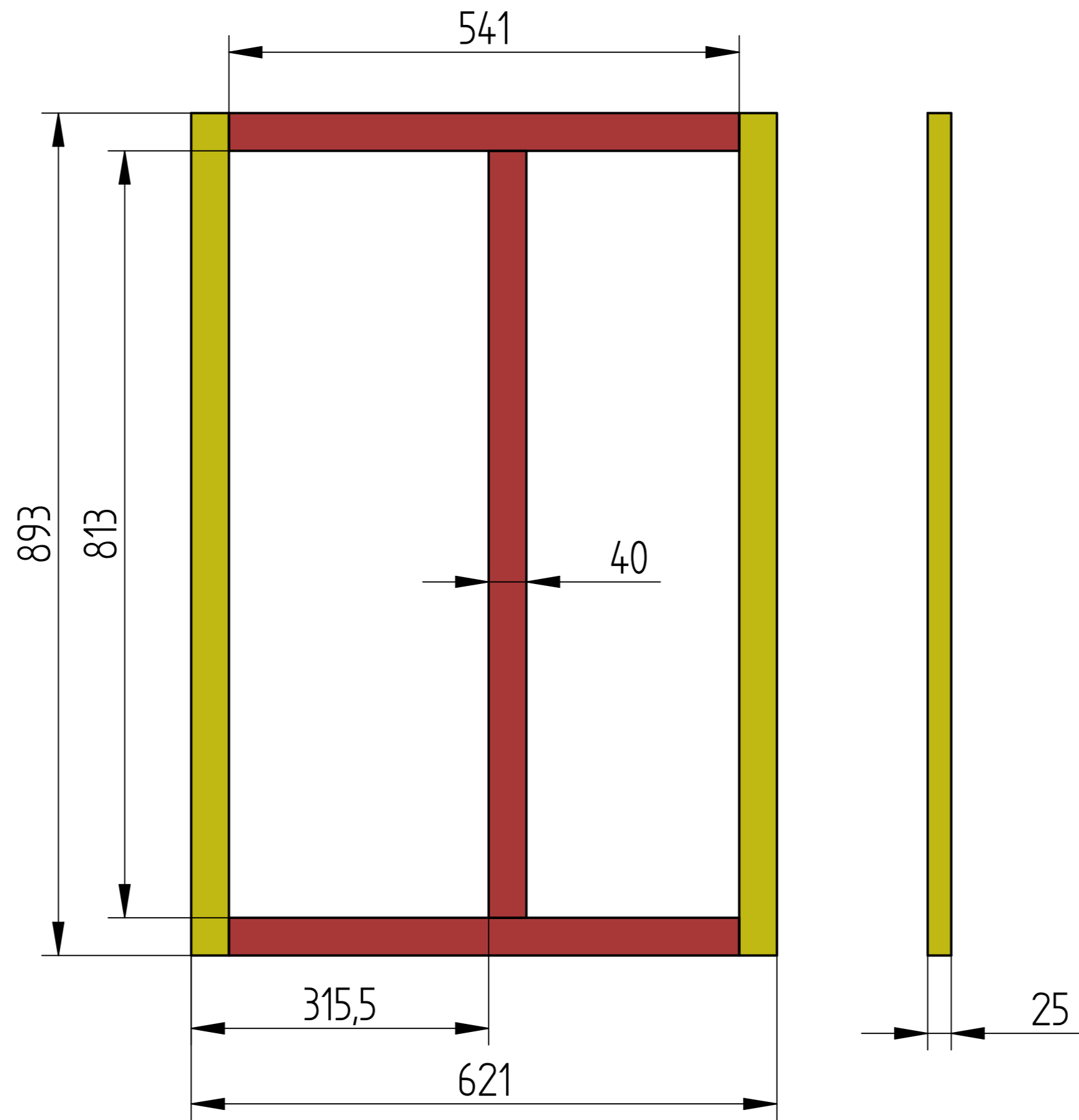
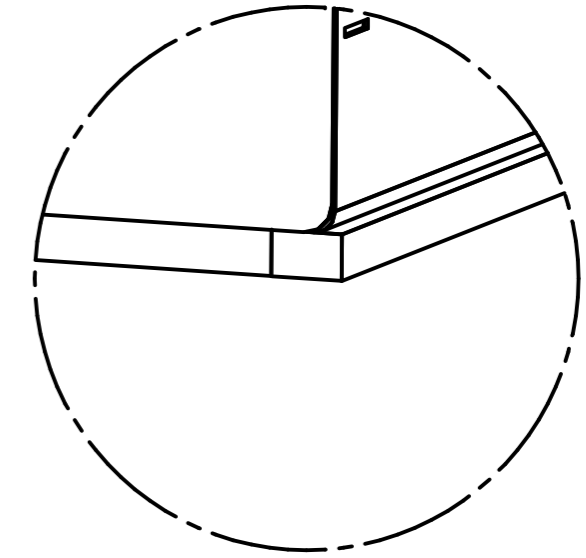
E

F

G

H

detail A



Articlenumber: 3150180

2x SYLODYN® TYP NC, GELB

Dimensions:
893 x 40 x 25 mm

1x SYLODYN® TYP NB, ROT

Dimensions:
813 x 40 x 25 mm

2x SYLODYN® TYP NB, ROT

Dimensions:
541 x 40 x 25 mm

<small>ATTENTION</small> Unwinding data is for information purposes only! Information on outer dimensions and bending allowances do not dismis the checker from inspection!		(Tolerances according: DIN ISO 2768-m)		scale: 1:5	(particularity): material:
		designer: 15.10.19 michael,bruns checked: Jens Brake norm:		title: 2.0/3.3/4.0 kW	
This drawing must not be copied, forwarded, reproduced or otherwise used in any other way.		(part number):		sheet: 3	3 sheets
ind.	modification	date	name	origin: 08.05.19	modification: 15.10.19 current index: material thickness:

1 2 3 4 5 6 7 8 9 10 11 A2