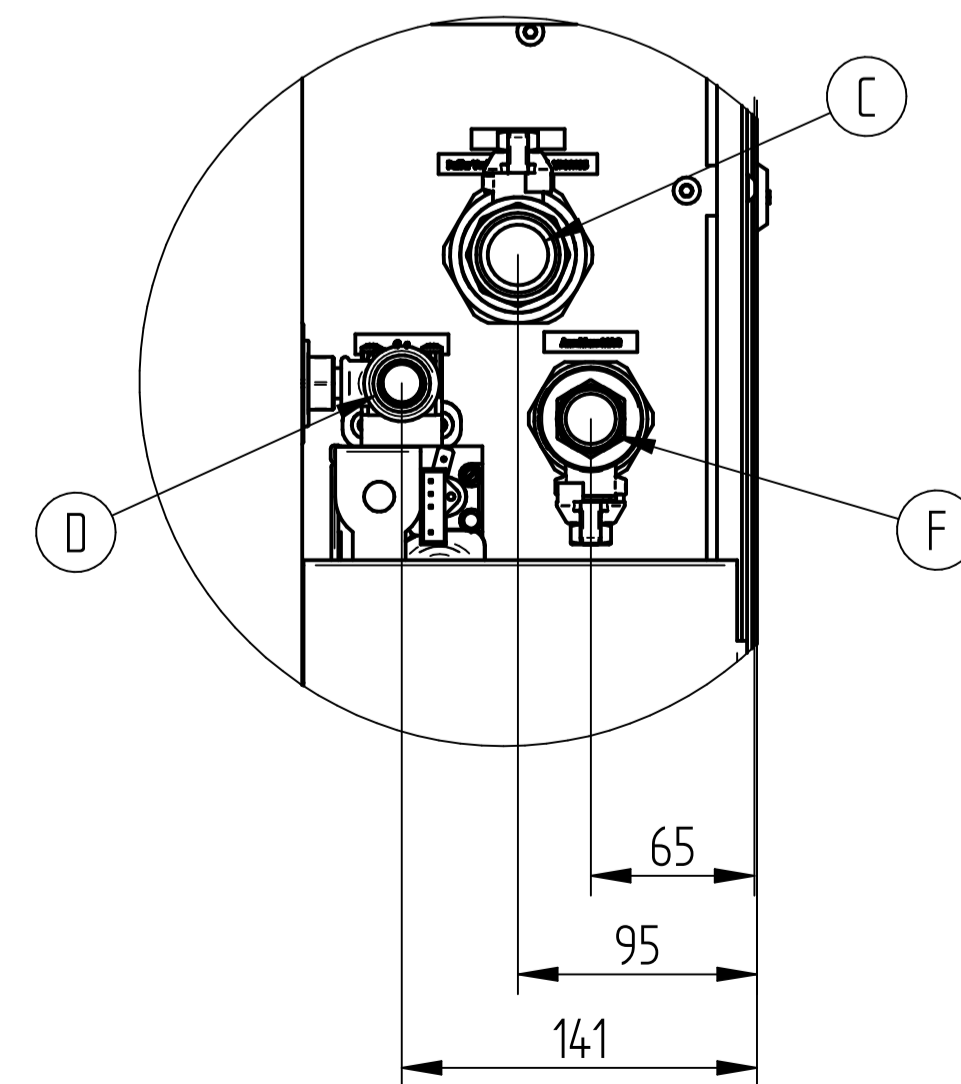


Deutsch		
Position	Bezeichnung	Anschluss typ
A	Abgas	DN80
B	Rücklauf	1" AG
C	Vorlauf	1" AG
D	Brennstoff	1/2" IG
E	Schutzbügel (demontierbar)	
F	für MAG Anschlussgruppe	3/4" AG
G	Abluft	DN 100
H	Kondensat	3/4" AG
I	Zuluft	
English		
position	designation	connection typ
A	exhaust	DN80
B	flow return	1" AG
C	flow heating	1" AG
D	fuel gas	1/2" IG
E	transport protection (removable)	
F	connection expansion tank, safety valve, filling value	3/4" AG
G	exhaust air	DN 100
H	condensate	3/4" AG
I	supply air	

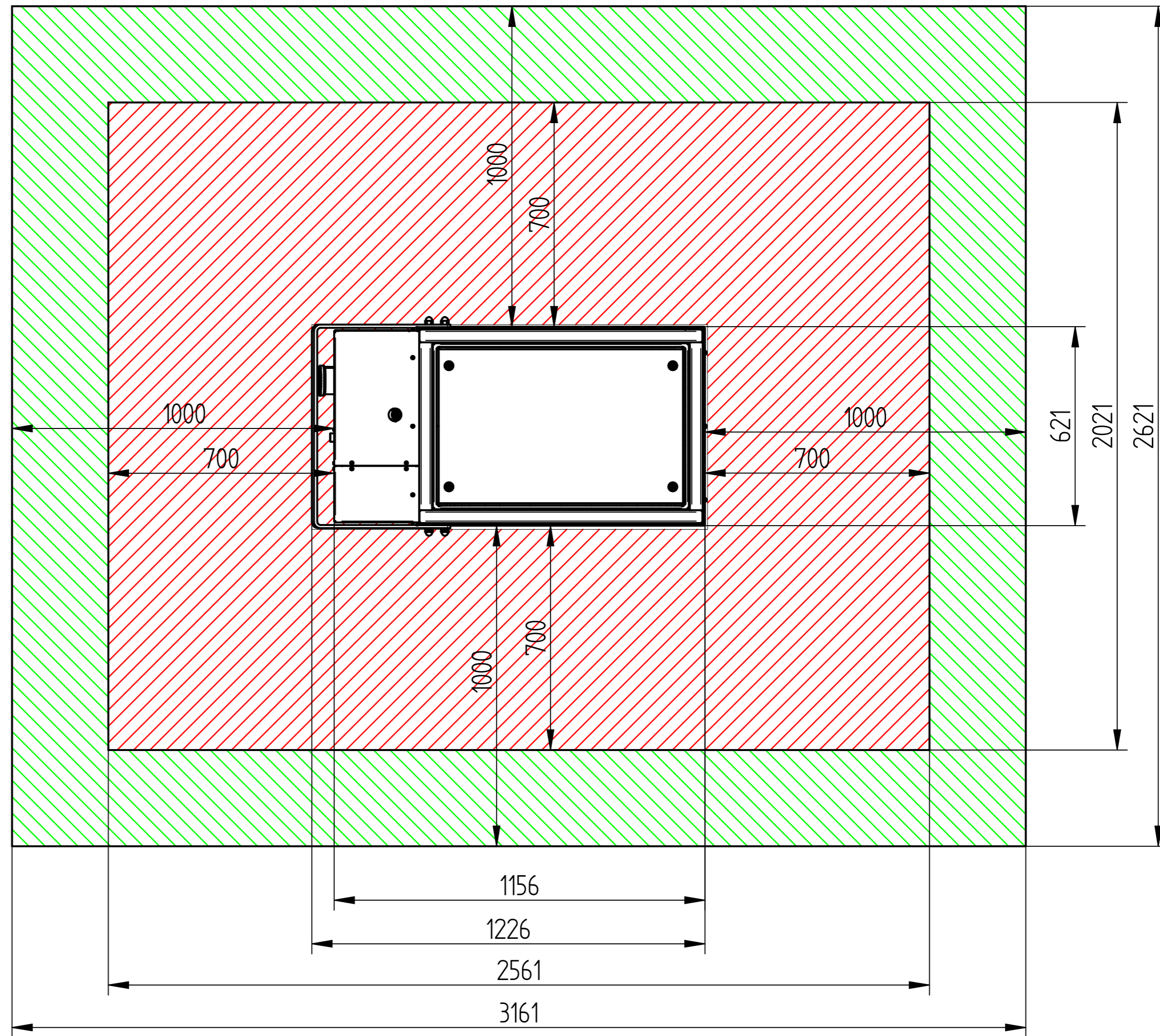
detail Z
1:3



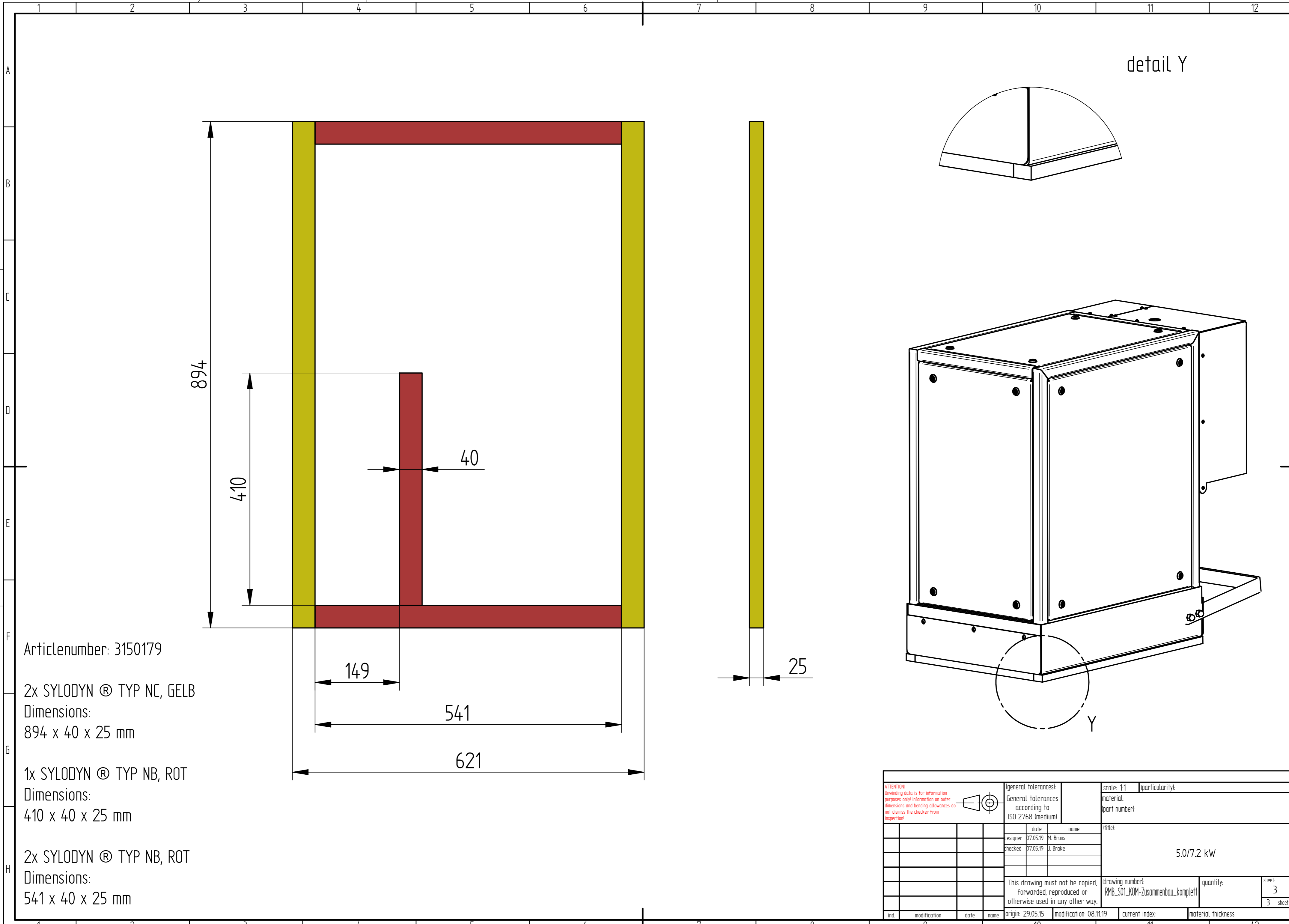
ATTENTION Drawing data is for information purpose only. Information on other dimensions and bending allowances do not belong to the checker from recipient.		General tolerances according to ISO 2768 (medium)	Scale 1:10 particularity: part number:
designer	date	name	title
checked	27.05.19	M. Bruns	
	27.05.19	J. Brake	
5.0/7.2 kW			
This drawing must not be copied, forwarded, reproduced or otherwise used in any other way.		drawing number: RMB_S01_KOM-Zusammenbau_komplett	quantity: sheet 1 3 sheets
ind.	modification	date	name
	29.05.15	08.11.19	
		current index	material thickness

Mindestanforderung freier Wartungsraum
(Minimum maintenance room)

Wartungsraum nach Klärung und
Herstellerfreigabe
(Maintenance room after
clarification and manufacturer
authorization)



<small>ATTENTION</small> <small>Unwinding data is for information purposes only! Information on outer dimensions and bending allowances do not disburse the checker from inspection!</small>				General tolerances: according to ISO 2768 (medium)	scale: 1:12 (particularity): material: (part number):		
designer	07.05.19	M. Bruns	title: 5.0/7.2 kW				
checked	07.05.19	J. Brake					
This drawing must not be copied, forwarded, reproduced or otherwise used in any other way.			(drawing number): RMB_S01_KOM-Zusammenbau_komplett	quantity: 3 sheets	sheet: 2		
ind.	modification	date	name	origin: 29.05.15	modification: 08.11.19	current index:	material thickness:



detail Y

Articlenumber: 3150179

2x SYLODYN ® TYP NC, GELB
 Dimensions:
 894 x 40 x 25 mm

1x SYLODYN ® TYP NB, ROT
 Dimensions:
 410 x 40 x 25 mm

2x SYLODYN ® TYP NB, ROT
 Dimensions:
 541 x 40 x 25 mm

<small>ATTENTION</small> <small>Unwinding data is for information purposes only! Information on outer dimensions and bending allowances do not dismis the checker from inspection!</small>				General tolerances: according to ISO 2768 (medium)	scale: 1:1 (particularity): material: (part number):
		designer: 07.05.19 M. Bruns checked: 07.05.19 J. Brake	title: 5.0/7.2 kW	(drawing number): RMB_S01_KOM-Zusammenbau_komplett	quantity: 3 sheets
This drawing must not be copied, forwarded, reproduced or otherwise used in any other way.	origin: 29.05.15 modification: 08.11.19	current index:	material thickness:		