

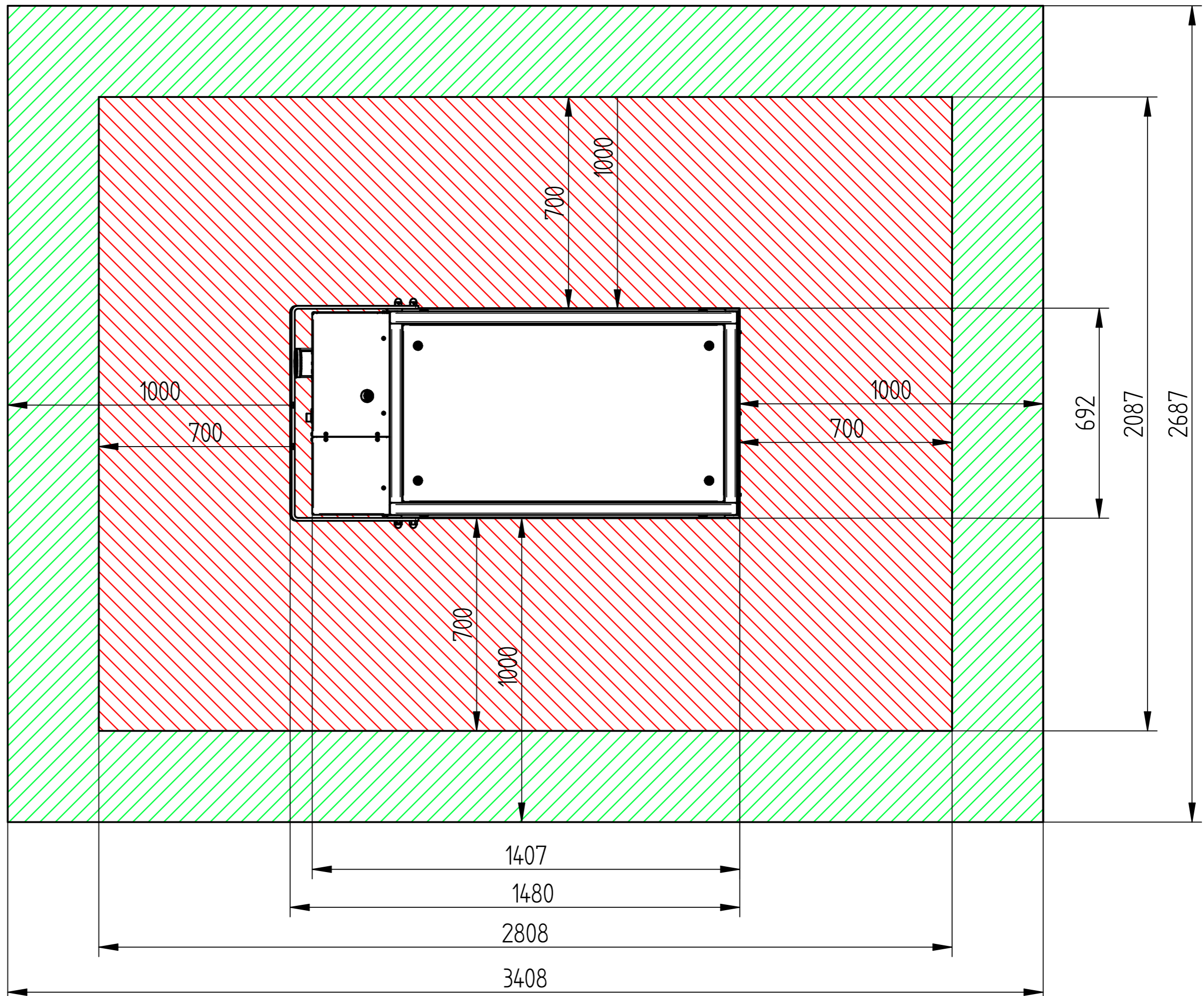
Deutsch		
Position	Bezeichnung	Anschlussstyp
A	Abgas	DN80
B	Rücklauf	1" AG
C	Vorlauf	1" AG
D	Brenngas	1/2" IG
E	Schutzbügel (demontierbar)	
F	für MAG Anschlussgruppe	3/4" AG
G	Abluft	DN100
H	Kondensat	3/4" AG
I	Zuluft	

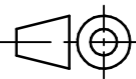
English		
position	designation	connection type
A	exhaust	DN80
B	flow return	1" AG
C	flow heating	1" AG
D	fuel gas	1/2" IG
E	transport protection (removable)	
F	connection expansion tank, safety valve, filling valve	3/4" AG
G	exhaust air	DN100
H	condensate	3/4" AG
I	supply air	

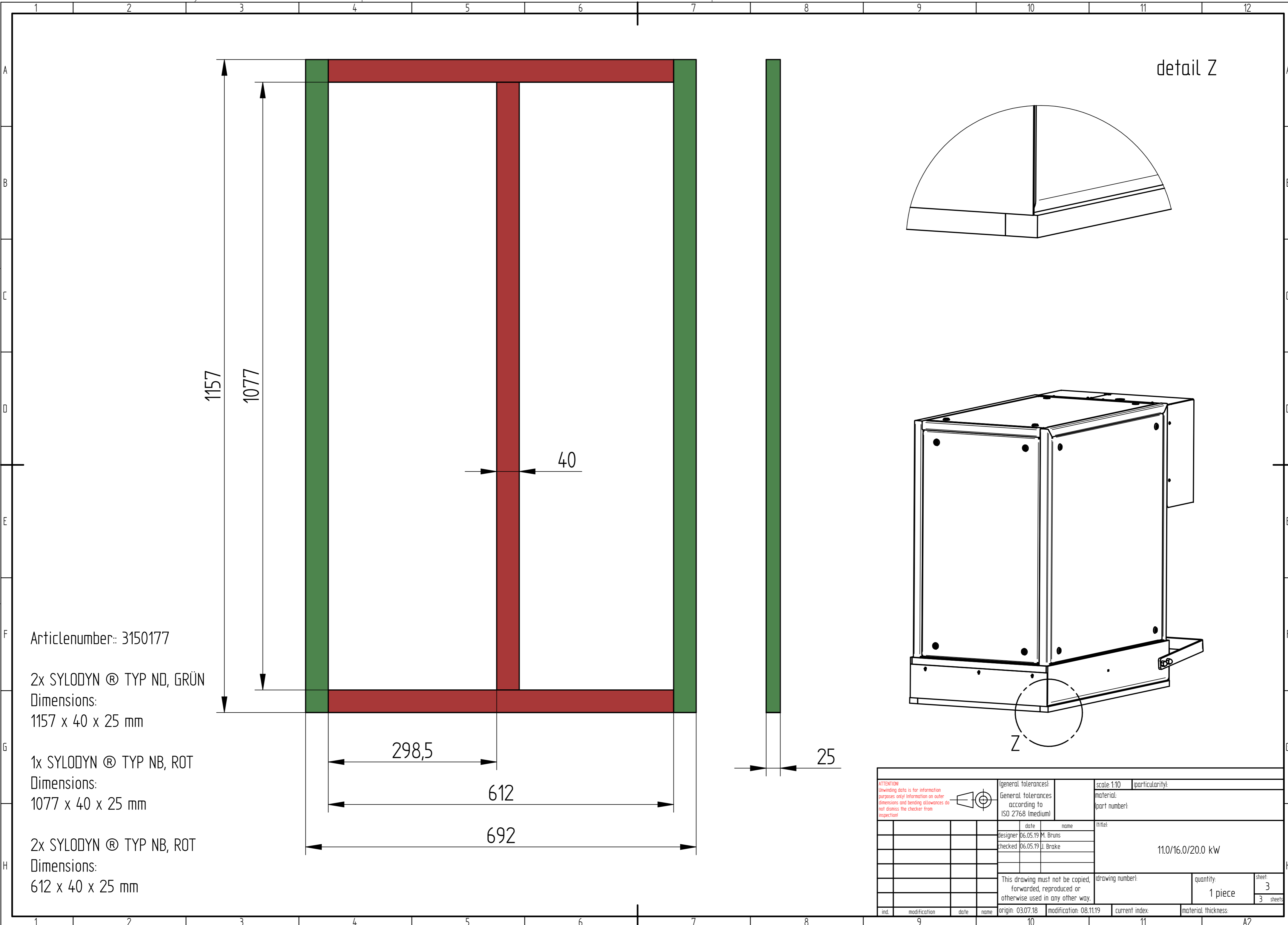
ATTENTION Drawing data is for information purposes only. Information on other dimensions and bending allowances do not bind the checker from inspection.		General tolerances according to ISO 2768 (medium)		Scale 1:10 (particularity)	
designer	16.05.19	M. Bruns	checked	16.05.19	J. Brake
110/16.0/20.0 kW			drawing number		
This drawing must not be copied, forwarded, reproduced or otherwise used in any other way.			quantity	1 piece	sheet 1 of 3
ind.	modification	date	name	original	03.07.18
	modification	08.11.19	current index	material	thickness

Mindesanforderung freier Wartungsraum
(Minimum maintenance room)

Mindesanforderung nach Klärung und
Herstellerfreigabe
(Maintenance room after
clarification and manufacturer
authorization)



ATTENTION Unwinding data is for information purposes only! Information on outer dimensions and bending allowances do not dismis the checker from inspection!				General tolerances: according to ISO 2768 (medium)		scale: 1:12 (particularity): material: (part number):	
		date name designer 06.05.19 M. Bruns		title: 11.0/16.0/20.0 kW			
		checked 06.05.19 J. Brake				(drawing number): quantity: 1 piece	
				This drawing must not be copied, forwarded, reproduced or otherwise used in any other way.		sheet: 2 3 sheets	
ind.	modification	date	name	origin: 03.07.18	modification: 08.11.19	current index:	material thickness:



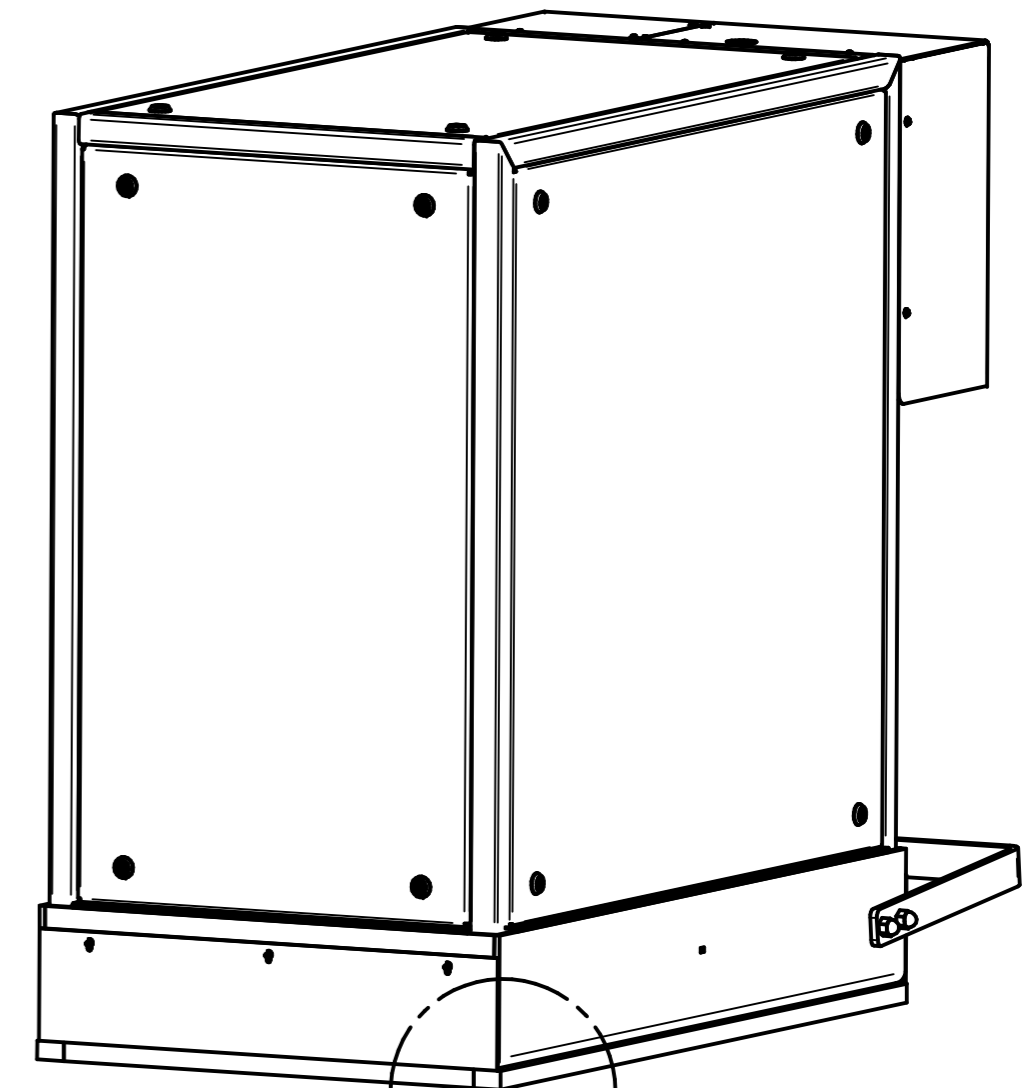
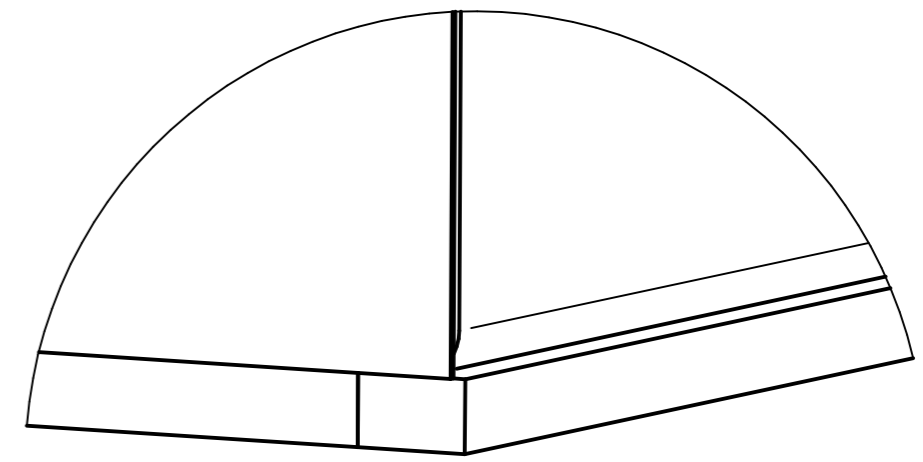
Articlenumber:: 3150177

2x SYLODYN ® TYP ND, GRÜN
 Dimensions:
 1157 x 40 x 25 mm

1x SYLODYN ® TYP NB, ROT
 Dimensions:
 1077 x 40 x 25 mm

2x SYLODYN ® TYP NB, ROT
 Dimensions:
 612 x 40 x 25 mm

detail Z



<small>ATTENTION</small> Unwinding data is for information purposes only! Information on outer dimensions and bending allowances do not dismis the checker from inspection!			General tolerances:	scale: 1:10	particularity:		
			General tolerances according to ISO 2768 (medium)	material:	part number:		
			date	name	title:		
			designer 06.05.19	M. Bruns	11.0/16.0/20.0 kW		
			checked 06.05.19	J. Brake			
This drawing must not be copied, forwarded, reproduced or otherwise used in any other way.			drawing number:		quantity:	sheet:	
					1 piece	3	
ind.	modification	date	name	origin: 03.07.18	modification: 08.11.19	current index:	material thickness:
							A2